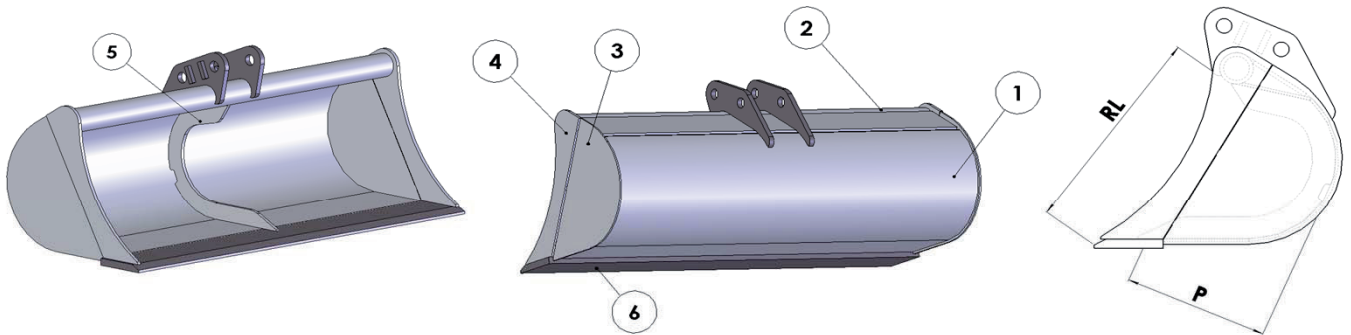


**BENNA PULIZIA FOSSI MODELLO ROTONDO per escavatori**  
**DITCH CLEANING BUCKET ROUND PROFILE for excavators**  
**GODET CURAGE PROFIL ARRONDI pour pelles**  
**CAZO DE LIMPIEZA MODELO REDONDO para excavadoras**  
**GRABENRAUMLÖFFEL RUNDPROFIL für Bagger**

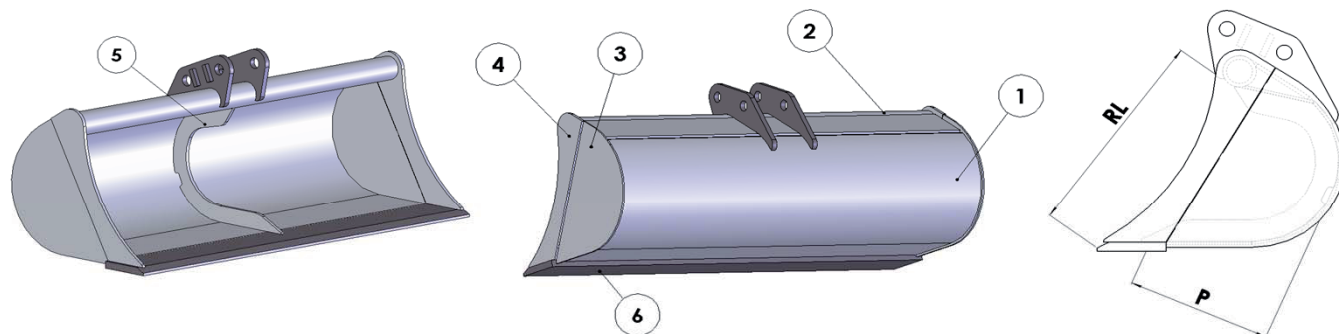


Classe Class	Codice Code	L mm.	Cap. SAE Lt.	Denti n° Teeth	Peso Kg. Weight	RL mm.	P mm.	Listino € Price List
T.18 0,6 - 1,1 ton	T18PFR080	800	48	/	37	300	220	/
	T18PFR085	850	51	/	40			/
	T18PFR100	1000	58	/	45			/
		<b>1</b>	<b>2</b>	<b>3</b>	<b>4</b>	<b>5</b>	<b>6</b>	<b>7</b>
Materiale	Material	S355	S355	S355	S355	S355	EN 250	/
Spessore	Thickness	4 mm	48 x 6 mm	4 mm	8 mm	8 mm	110 x 16 mm	/

Classe Class	Codice Code	L mm.	Cap. SAE Lt.	Denti n° Teeth	Peso Kg. Weight	RL mm.	P mm.	Listino € Price List
T.20 1,2 - 1,8 ton	T20PFR080	800	50	/	46	330	240	/
	T20PFR085	850	53	/	49			/
	T20PFR100	1000	63	/	56			/
	T20PFR120	1200	77	/	67			/
		<b>1</b>	<b>2</b>	<b>3</b>	<b>4</b>	<b>5</b>	<b>6</b>	<b>7</b>
Materiale	Material	S355	S355	S355	S355	S355	EN 250	/
Spessore	Thickness	4 mm	60 x 7 mm	4 mm	10 mm	8 mm	110 x 16 mm	/

Classe Class	Codice Code	L mm.	Cap. SAE Lt.	Denti n° Teeth	Peso Kg. Weight	RL mm.	P mm.	Listino € Price List
T.25 1,9 - 2,8 ton	T25PFR080	800	67	/	52	380	270	/
	T25PFR100	1000	86	/	62			/
	T25PFR120	1200	104	/	74			/
	T25PFR130	1300	113	/	80			/
	T25PFR140	1400	123	/	86			/
	T25PFR150	1500	132	/	92			/
		<b>1</b>	<b>2</b>	<b>3</b>	<b>4</b>	<b>5</b>	<b>6</b>	<b>7</b>
Materiale	Material	S355	S355	S355	S355	S355	EN 250	/
Spessore	Thickness	4 mm	60 x 7 mm	4 mm	10 mm	8 mm	150 x 16 mm	/

**BENNA PULIZIA FOSSI MODELLO ROTONDO per escavatori**  
**DITCH CLEANING BUCKET ROUND PROFILE for excavators**  
**GODET CURAGE PROFIL ARRONDI pour pelles**  
**CAZO DE LIMPIEZA MODELO REDONDO para excavadoras**  
**GRABENRAUMLÖFFEL RUNDPROFIL für Bagger**

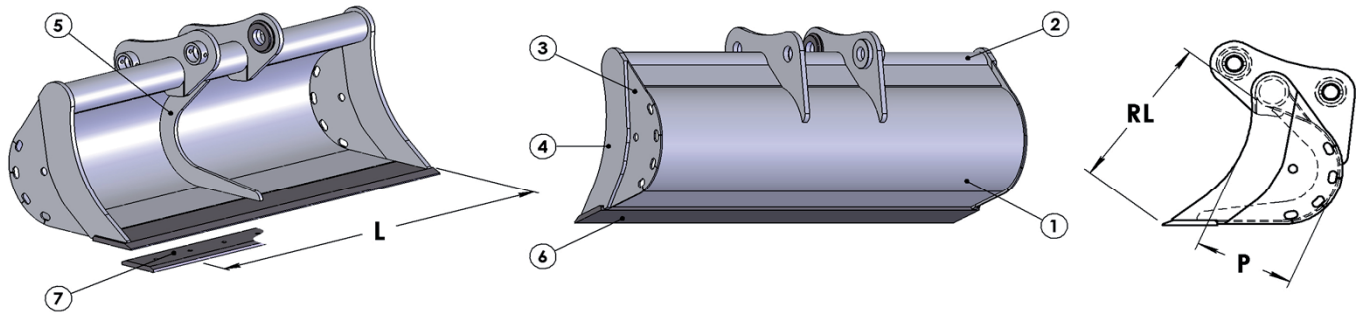


Classe Class	Codice Code	L mm.	Cap. SAE Lt.	Denti n° Teeth	Peso Kg. Weight	RL mm.	P mm.	Listino € Price List
<b>T.30</b> 2,9 - 3,9 ton	T30PFR100	1000	121	/	96	440	310	/
	T30PFR120	1200	148	/	112			/
	T30PFR130	1300	161	/	120			/
	T30PFR140	1400	175	/	129			/
	T30PFR150	1500	188	/	138			/
		<b>1</b>	<b>2</b>	<b>3</b>	<b>4</b>	<b>5</b>	<b>6</b>	<b>7</b>
<b>Materiale</b>	<b>Material</b>	S355	S355	S355	S355	S355	EN 250	/
<b>Spessore</b>	<b>Thickness</b>	5 mm	70 x 8 mm	5 mm	12 mm	10 mm	150 x 16 mm	/

Classe Class	Codice Code	L mm.	Cap. SAE Lt.	Denti n° Teeth	Peso Kg. Weight	RL mm.	P mm.	Listino € Price List
<b>T.35</b> 4,0 - 5,2 ton	T35PFR100	1000	152	/	115	495	350	/
	T35PFR120	1200	186	/	136			/
	T35PFR130	1300	202	/	147			/
	T35PFR140	1400	219	/	156			/
	T35PFR150	1500	236	/	164			/
	T35PFR160	1600	253	/	181			/
		<b>1</b>	<b>2</b>	<b>3</b>	<b>4</b>	<b>5</b>	<b>6</b>	<b>7</b>
<b>Materiale</b>	<b>Material</b>	S355	S355	S355	S355	S355	EN 250	/
<b>Spessore</b>	<b>Thickness</b>	6 mm	82 x 10 mm	6 mm	15 mm	12 mm	150 x 20 mm	/

Classe Class	Codice Code	L mm.	Cap. SAE Lt.	Denti n° Teeth	Peso Kg. Weight	RL mm.	P mm.	Listino € Price List
<b>T.45</b> 5,3 - 7,0 ton	T45PFR120	1200	200	/	154	525	380	/
	T45PFR140	1400	230	/	180			/
	T45PFR150	1500	245	/	193			/
	T45PFR160	1600	260	/	205			/
		<b>1</b>	<b>2</b>	<b>3</b>	<b>4</b>	<b>5</b>	<b>6</b>	<b>7</b>
<b>Materiale</b>	<b>Material</b>	S355	S355	S355	S355	S355	EN 250	/
<b>Spessore</b>	<b>Thickness</b>	6 mm	89 x 10 mm	6 mm	15 mm	12 mm	200 x 20 mm	/

**BENNA PULIZIA FOSSI MODELLO ROTONDO per escavatori**  
**DITCH CLEANING BUCKET ROUND PROFILE for excavators**  
**GODET CURAGE PROFIL ARRONDI pour pelles**  
**CAZO DE LIMPIEZA MODELO REDONDO para excavadoras**  
**GRABENRAUMLÖFFEL RUNDPROFIL für Bagger**

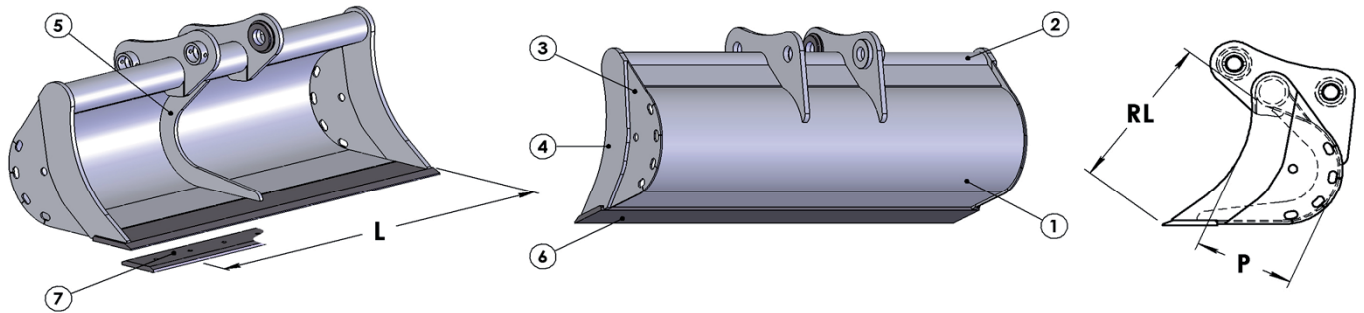


Classe Class	Codice Code	L mm.	Cap. SAE Lt.	Peso Kg. Weight	RL mm.	P mm.	Listino € Price List	Sottolama € Bolt on blade
T.48 - T.50 7,1 - 12,5 ton	T48PFR140	1400	287	217	550	337	/	/
	T48PFR150	1500	310	229			/	/
	T48PFR160	1600	332	241			/	/
	T48PFR180	1800	377	265			/	/
	T48PFR200	2000	422	289			/	/
		<b>1</b>	<b>2</b>	<b>3</b>	<b>4</b>	<b>5</b>	<b>6</b>	<b>7 Optional</b>
Materiale	Material	S355	S355	S355	S355	S355	HB 400	HB 400
Spessore	Thickness	8 mm	114.3 x 12.5 mm	6 mm	12 mm	15 mm	200 x 20 mm	150 x 20 mm

Classe Class	Codice Code	L mm.	Cap. SAE Lt.	Peso Kg. Weight	RL mm.	P mm.	Listino € Price List	Sottolama € Bolt on blade
T.55 - T.60 12,5 - 19 ton	T55PFR150	1500	353	305	570	345	/	/
	T55PFR180	1800	431	347			/	/
	T55PFR200	2000	483	374			/	/
	T55PFR220	2200	534	402			/	/
		<b>1</b>	<b>2</b>	<b>3</b>	<b>4</b>	<b>5</b>	<b>6</b>	<b>7 Optional</b>
Materiale	Material	S355	S355	S355	S355	S355	HB 400	HB 400
Spessore	Thickness	8 mm	127 x 14.2 mm	6 mm	20 mm	15 mm	200 x 25 mm	200 x 20 mm

Classe Class	Codice Code	L mm.	Cap. SAE Lt.	Peso Kg. Weight	RL mm.	P mm.	Listino € Price List	Sottolama € Bolt on blade
T.65 19 - 23 ton	T65PFR180	1800	554	416	650	381	/	/
	T65PFR200	2000	620	447			/	/
	T65PFR220	2200	687	477			/	/
	T65PFR240	2400	750	507			/	/
	T65PFR250	2500	783	522			/	/
		<b>1</b>	<b>2</b>	<b>3</b>	<b>4</b>	<b>5</b>	<b>6</b>	<b>7 Optional</b>
Materiale	Material	S355	S355	S355	S355	S355	HB 400	HB 400
Spessore	Thickness	8 mm	127 x 14.2 mm	8 mm	25 mm	20 mm	250 x 25 mm	200 x 20 mm

**BENNA PULIZIA FOSSI MODELLO ROTONDO per escavatori**  
**DITCH CLEANING BUCKET ROUND PROFILE for excavators**  
**GODET CURAGE PROFIL ARRONDI pour pelles**  
**CAZO DE LIMPIEZA MODELO REDONDO para excavadoras**  
**GRABENRAUMLÖFFEL RUNDPROFIL für Bagger**



Classe Class	Codice Code	L mm.	Cap. SAE Lt.	Peso Kg. Weight	RL mm.	P mm.	Listino € Price List	Sottolama € Bolt on blade
<b>T.66</b> <b>23 - 26</b> <b>ton</b>	T66PFR180	1800	738	489	750	460	/	/
	T66PFR200	2000	828	526			/	/
	T66PFR220	2200	917	562			/	/
	T66PFR240	2400	1007	598			/	/
	T66PFR250	2500	1052	617			/	/
		<b>1</b>	<b>2</b>	<b>3</b>	<b>4</b>	<b>5</b>	<b>6</b>	<b>7 Optional</b>
<b>Materiale</b>	<b>Material</b>	S355	S355	S355	S355	S355	HB 400	HB 400
<b>Spessore</b>	<b>Thickness</b>	8 mm	152.4 x 16 mm	8 mm	25 mm	20 mm	250 x 25 mm	200 x 20 mm

Classe Class	Codice Code	L mm.	Cap. SAE Lt.	Peso Kg. Weight	RL mm.	P mm.	Listino € Price List	Sottolama € Bolt on blade
<b>T.68</b> <b>T.69 - T.70</b> <b>26 - 43</b> <b>ton</b>	T68PFR180	1800	956	703	860	529	/	/
	T68PFR200	2000	1074	756			/	/
	T68PFR220	2200	1191	808			/	/
	T68PFR240	2400	1309	861			/	/
	T68PFR250	2500	1366	887			/	/
		<b>1</b>	<b>2</b>	<b>3</b>	<b>4</b>	<b>5</b>	<b>6</b>	<b>7 Optional</b>
<b>Materiale</b>	<b>Material</b>	S355	S355	S355	S355	S355	HB 400	HB 400
<b>Spessore</b>	<b>Thickness</b>	10 mm	177.8 x 20 mm	10 mm	30 mm	25 mm	300 x 30 mm	250 x 25 mm