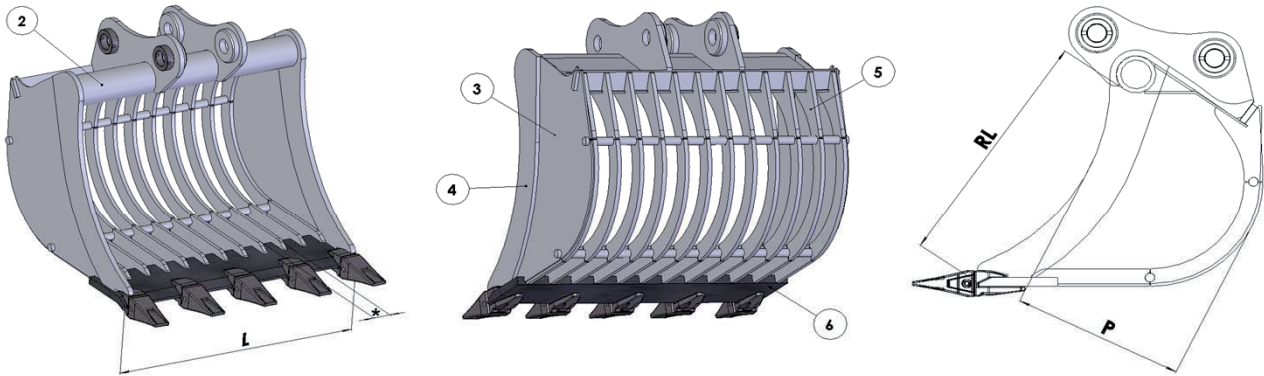


BENNA GRIGLIATA per escavatori
SKELETON BUCKET for excavators
GODET CRIBLE pour pelles
CAZO REJADO para excavadoras
GITTERLÖFFEL für Bagger



Classe Class	Codice Code	L mm.	Cap. SAE Lt.	Denti n° Teeth	Peso Kg. Weight	RL mm.	P mm.	Tipologia Denti - Teeth Type	
T.18 0,6 - 1,1 ton	T18GR0040	400	30	3	39	340	230	C 01	Esco V13 SYL
	T18GR0050	500	37	4	44			C 01	Esco V13 SYL
	T18GR0060	600	46	5	47			C 01	Esco V13 SYL
		1	2	3	4	5	6	7	*
Materiale	Material	/	S355	S355	S355	S355	EN 250	/	/
Spessore	Thickness	/	54 x 6 mm	4 mm	8 mm	6 mm	110 x 16 mm	/	50 mm

Classe Class	Codice Code	L mm.	Cap. SAE Lt.	Denti n° Teeth	Peso Kg. Weight	RL mm.	P mm.	Tipologia Denti - Teeth Type	
T.20 1,2 - 1,8 ton	T20GR0050	500	47	4	50	380	250	C 01	Esco V13 SYL
	T20GR0060	600	58	5	55			C 01	Esco V13 SYL
	T20GR0070	700	69	5	60			C 01	Esco V13 SYL
		1	2	3	4	5	6	7	*
Materiale	Material	/	S355	S355	S355	S355	EN 250	/	/
Spessore	Thickness	/	60 x 8 mm	4 mm	8 mm	8 mm	150 x 16 mm	/	50 mm

Classe Class	Codice Code	L mm.	Cap. SAE Lt.	Denti n° Teeth	Peso Kg. Weight	RL mm.	P mm.	Tipologia Denti - Teeth Type	
T.25 1,9 - 2,8 ton	T25GR0060	600	79	5	74	440	280	C 01	Esco V13 SYL
	T25GR0070	700	95	5	81			C 01	Esco V13 SYL
	T25GR0080	800	111	5	88			C 01	Esco V13 SYL
		1	2	3	4	5	6	7	*
Materiale	Material	/	S355	S355	S355	S355	EN 250	/	/
Spessore	Thickness	/	70 x 8 mm	4 mm	8 mm	8 mm	150 x 16 mm	/	50 mm

Classe Class	Codice Code	L mm.	Cap. SAE Lt.	Denti n° Teeth	Peso Kg. Weight	RL mm.	P mm.	Tipologia Denti - Teeth Type	
T.30 2,9 - 3,9 ton	T30GR0060	600	100	5	90	500	340	C 01	Esco V13 SYL
	T30GR0070	700	119	5	97			C 01	Esco V13 SYL
	T30GR0080	800	139	5	101			C 01	Esco V13 SYL
		1	2	3	4	5	6	7	*
Materiale	Material	/	S355	S355	S355	S355	EN 250	/	/
Spessore	Thickness	/	76 x 8 mm	5 mm	10 mm	8 mm	150 x 16 mm	/	50 mm

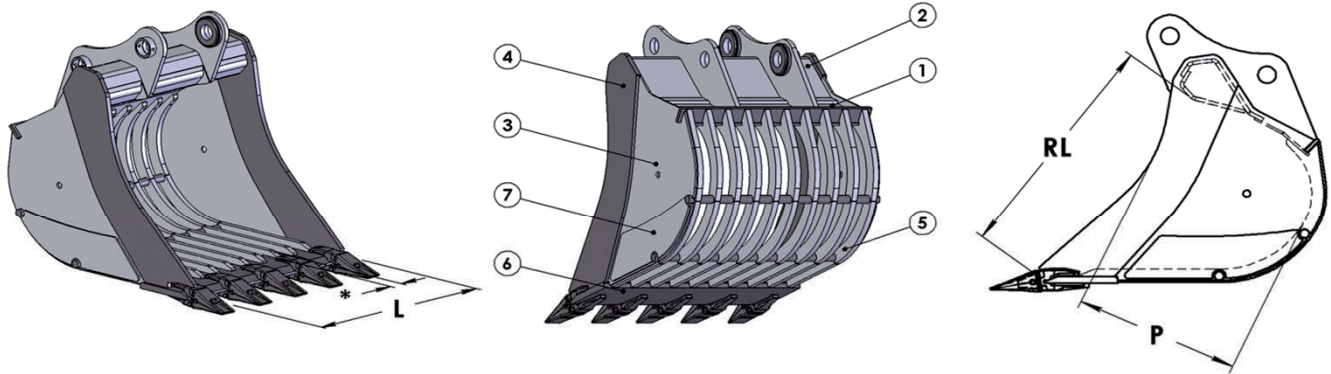
Classe Class	Codice Code	L mm.	Cap. SAE Lt.	Denti n° Teeth	Peso Kg. Weight	RL mm.	P mm.	Tipologia Denti - Teeth Type	
T.35 4,0 - 5,2 ton	T35GR0080	800	192	5	170	600	400	C 02	Esco V13 SYL
	T35GR0090	900	220	6	178			C 02	Esco V13 SYL
	T35GR0100	1000	248	6	190			C 02	Esco V13 SYL
		1	2	3	4	5	6	7	*
Materiale	Material	/	S355	S355	S355	S355	EN 250	/	/
Spessore	Thickness	/	89 x 10 mm	5 mm	12 mm	10 mm	200 x 20 mm	/	50 mm

Classe Class	Codice Code	L mm.	Cap. SAE Lt.	Denti n° Teeth	Peso Kg. Weight	RL mm.	P mm.	Tipologia Denti - Teeth Type	
T.45 5,3 - 7,0 ton	T45GR0080	800	258	4	225	700	490	C 03	Esco V17 TYL
	T45GR0090	900	296	5	240			C 03	Esco V17 TYL
	T45GR0100	1000	335	6	256			C 03	Esco V17 TYL
		1	2	3	4	5	6	7	*
Materiale	Material	/	S355	S355	S355	S355	EN 250	/	/
Spessore	Thickness	/	108 x 11 mm	6 mm	15 mm	12 mm	200 x 25 mm	/	50 mm

Classe Class	Codice Code	L mm.	Cap. SAE Lt.	Denti n° Teeth	Peso Kg. Weight	RL mm.	P mm.	Tipologia Denti - Teeth Type	
T.48 7,1 - 9,5 ton	T48GR0080	800	296	4	256	750	500	CAT J 220	Esco V17 TYL
	T48GR0090	900	340	5	272			CAT J 220	Esco V17 TYL
	T48GR0100	1000	384	6	288			CAT J 220	Esco V17 TYL
		1	2	3	4	5	6	7	*
Materiale	Material	/	S355	S355	S355	S355	EN 250	/	/
Spessore	Thickness	/	121 x 14 mm	6 mm	20 mm	15 mm	200 x 25 mm	/	50 mm

Classe Class	Codice Code	L mm.	Cap. SAE Lt.	Denti n° Teeth	Peso Kg. Weight	RL mm.	P mm.	Tipologia Denti - Teeth Type	
T.50 9,6 - 12,5 ton	T50GR0090	900	410	5	382	800	520	CAT J 220	Esco U20 S
	T50GR0100	1000	479	5	402			CAT J 220	Esco U20 S
	T50GR0110	1100	555	6	422			CAT J 220	Esco U20 S
		1	2	3	4	5	6	7	*
Materiale	Material	/	S355	S355	S355	S355	EN 250	/	/
Spessore	Thickness	/	127 x 14 mm	6 mm	20 mm	20 mm	250 x 30 mm	/	50 mm

BENNA GRIGLIATA per escavatori
SKELETON BUCKET for excavators
GODET CRIBLE pour pelles
CAZO REJADO para excavadoras
GITTERLÖFFEL für Bagger



Classe Class	Codice Code	L mm.	Cap. SAE Lt.	Denti n° Teeth	Peso Kg. Weight	RL mm.	P mm.	Tipologia Denti - Teeth Type	
T.55 12,5 - 16 t	T55GR0100	1000	510	5	501	934	560	CAT J 300	Esco U25 S
	T55GR0120	1200	636	5	560			CAT J 300	Esco U25 S
		1	2	3	4	5	6	7	*
Materiale	Material	S355	S355	S355	Hardox 400	S355	HB 400	S355	/
Spessore	Thickness	8 mm	12 mm	8 mm	20 mm	25 mm	270 x 32 mm	8 mm	100 mm

Classe Class	Codice Code	L mm.	Cap. SAE Lt.	Denti n° Teeth	Peso Kg. Weight	RL mm.	P mm.	Tipologia Denti - Teeth Type	
T.60 16 - 19 ton	T60GR0100	1000	605	5	558	1004	620	CAT J 300	Esco U30 S
	T60GR0120	1200	740	5	651			CAT J 300	Esco U30 S
	T60GR0130	1300	813	6	699			CAT J 300	Esco U30 S
		1	2	3	4	5	6	7	*
Materiale	Material	S355	S355	S355	Hardox 400	S355	HB 400	S355	/
Spessore	Thickness	8 mm	18 mm	8 mm	20 mm	25 mm	270 x 32 mm	10 mm	100 mm

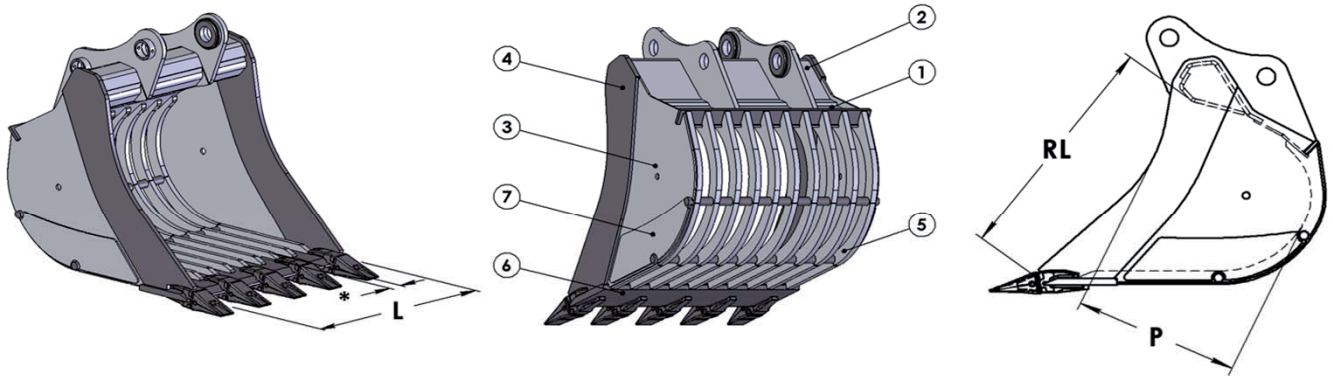
Classe Class	Codice Code	L mm.	Cap. SAE Lt.	Denti n° Teeth	Peso Kg. Weight	RL mm.	P mm.	Tipologia Denti - Teeth Type	
T.65 19 - 23 ton	T65GR0100	1000	713	4	728	1088	674	CAT J 350	Esco U30 S
	T65GR0120	1200	886	5	836			CAT J 350	Esco U30 S
	T65GR0130	1300	974	5	884			CAT J 350	Esco U30 S
	T65GR0150	1500	1150	6	996			CAT J 350	Esco U30 S
		1	2	3	4	5	6	7	*
Materiale	Material	S355	S355	S355	Hardox 400	S355	HB 400	S355	/
Spessore	Thickness	10 mm	18 mm	8 mm	25 mm	30 mm	300 x 35 mm	10 mm	100 mm

Classe Class	Codice Code	L mm.	Cap. SAE Lt.	Denti n° Teeth	Peso Kg. Weight	RL mm.	P mm.	Tipologia Denti - Teeth Type	
T.66 23 - 26 ton	T66GR0100	1000	828	4	792	1153	748	CAT J 350	Esco U35 S
	T66GR0120	1200	1019	5	906			CAT J 350	Esco U35 S
	T66GR0130	1300	1120	5	957			CAT J 350	Esco U35 S
	T66GR0150	1500	1325	6	1075			CAT J 350	Esco U35 S
		1	2	3	4	5	6	7	*
Materiale	Material	S355	S355	S355	Hardox 400	S355	HB 400	S355	/
Spessore	Thickness	10 mm	18 mm	10 mm	25 mm	30 mm	300 x 35 mm	10 mm	100 mm

Classe Class	Codice Code	L mm.	Cap. SAE Lt.	Denti n° Teeth	Peso Kg. Weight	RL mm.	P mm.	Tipologia Denti - Teeth Type	
T.68 26 - 31 ton	T68GR0100	1000	1012	4	1138	1251	883	CAT J 400	Esco U35 S
	T68GR0120	1200	1266	5	1244			CAT J 400	Esco U35 S
	T68GR0130	1300	1394	5	1309			CAT J 400	Esco U35 S
	T68GR0150	1500	1650	5	1408			CAT J 400	Esco U35 S
		1	2	3	4	5	6	7	*
Materiale	Material	S355	S355	S355	Hardox 400	S355	HB 400	S355	/
Spessore	Thickness	10 mm	20 mm	10 mm	30 mm	30 mm	400 x 40 mm	12 mm	100 mm

Classe Class	Codice Code	L mm.	Cap. SAE Lt.	Denti n° Teeth	Peso Kg. Weight	RL mm.	P mm.	Tipologia Denti - Teeth Type	
T.69 31 - 38 ton	T69GR0100	1000	1000	4	1243	1300	900	CAT J 400	Esco U40 S
	T69GR0120	1200	1254	5	1353			CAT J 400	Esco U40 S
	T69GR0130	1300	1366	5	1424			CAT J 400	Esco U40 S
	T69GR0150	1500	1642	5	1531			CAT J 400	Esco U40 S
	T69GR0160	1600	1771	6	1622			CAT J 400	Esco U40 S
		1	2	3	4	5	6	7	*
Materiale	Material	S355	S355	S355	Hardox 400	S355	HB 400	S355	/
Spessore	Thickness	12 mm	20 mm	12 mm	30 mm	30 mm	400 x 40 mm	12 mm	100 mm

BENNA GRIGLIATA per escavatori
SKELETON BUCKET for excavators
GODET CRIBLE pour pelles
CAZO REJADO para excavadoras
GITTERLÖFFEL für Bagger



Classe Class	Codice Code	L mm.	Cap. SAE Lt.	Denti n° Teeth	Peso Kg. Weight	RL mm.	P mm.	Tipologia Denti - Teeth Type	
T.70 38 - 43 ton	T70GR0100	1000	1138	4	1348	1360	921	CAT J 400	Esco U40 S
	T70GR0120	1200	1425	5	1463			CAT J 400	Esco U40 S
	T70GR0130	1300	1553	5	1540			CAT J 400	Esco U40 S
	T70GR0150	1500	1866	5	1655			CAT J 400	Esco U40 S
	T70GR0160	1600	2013	6	1762			CAT J 400	Esco U40 S
		1	2	3	4	5	6	7	*
Materiale	Material	S355	S355	S355	Hardox 400	S355	HB 400	S355	/
Spessore	Thickness	12 mm	20 mm	12 mm	30 mm	35 mm	400 x 40 mm	12 mm	100 mm

Quotazioni e caratteristiche tecniche disponibili su richiesta per le classi T.75, T.80 e T.85

* = Luce standard griglia-griglia

Quotations and technical details available upon request for T.75, T.80 and T.85 class

* = Standard distance grill to grill

Devis et caractéristiques techniques sur demande pour classe T.75, T.80 et T.85

* = Espacement standard du crible

Cotizaciones y características técnicas disponibles a petición para las clases T.75, T.80 y T.85

* = Luz estandar reja-reja

Preise und technische unterlagen sind auf verfügbar auf Anfrage für T.75, T.80 und T.85 Klasse

* = Standard Abstand zwischen die Rippen