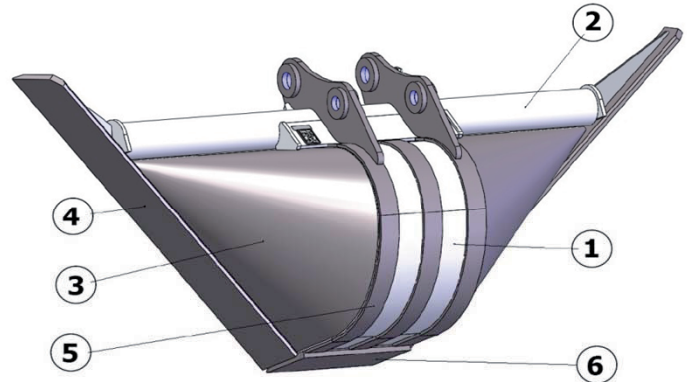
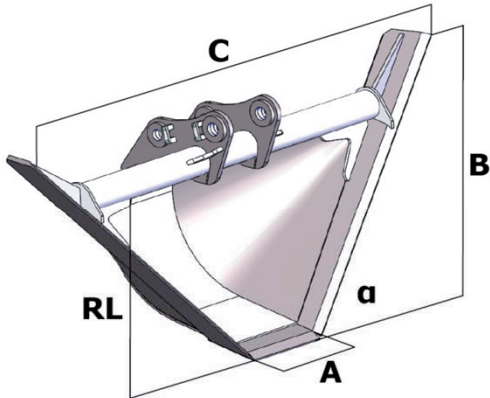


BENNA TRAPEZOIDALE per escavatori
TRAPEZOIDAL BUCKET for excavators
GODET TRAPEZE pour pelles
CAZO TRAPOEZOIDAL para excavadoras
TRAPEZLÖFFEL für Bagger



Classe Class	Codice Code	A mm.	Cap. SAE Lt.	Gradi α Degrees	Peso Kg. Weight	RL mm.	B mm.	C mm.	Listino € Price List
T.18 - T.20 0,6 - 1,8 ton	T18TRB020	200	62	45°	50	380	550	1306	/
	T18TRC020		48	52°	46			1064	/
	T18TRD020		34	60°	42			838	/
		1	2	3	4	5	6	7	8
Materiale	Material	S355	S355	S355	EN 250	S355	EN 250	/	/
Spessore	Thickness	5 mm	57 x 10 mm	4 mm	110 x 16 mm	50 x 8 mm	150 x 16 mm	/	/

Classe Class	Codice Code	A mm.	Cap. SAE Lt.	Gradi α Degrees	Peso Kg. Weight	RL mm.	B mm.	C mm.	Listino € Price List
T.25 1,9 - 2,8 ton	T25TRB025	250	93	45°	54	440	613	1476	/
	T25TRC025		71	52°	50			1207	/
	T25TRD025		49	60°	46			958	/
		1	2	3	4	5	6	7	8
Materiale	Material	S355	S355	S355	EN 250	S355	EN 250	/	/
Spessore	Thickness	6 mm	57 x 10 mm	4 mm	110 x 16 mm	50 x 8 mm	150 x 16 mm	/	/

Classe Class	Codice Code	A mm.	Cap. SAE Lt.	Gradi α Degrees	Peso Kg. Weight	RL mm.	B mm.	C mm.	Listino € Price List
T.30 2,9 - 3,9 ton	T30TRB025	250	126	45°	79	505	696	1642	/
	T30TRC025		98	52°	73			1337	/
	T30TRD025		70	60°	67			1053	/
		1	2	3	4	5	6	7	8
Materiale	Material	S355	S355	S355	EN 250	S355	EN 250	/	/
Spessore	Thickness	6 mm	76.1 x 10 mm	5 mm	110 x 16 mm	50 x 8 mm	150 x 20 mm	/	/

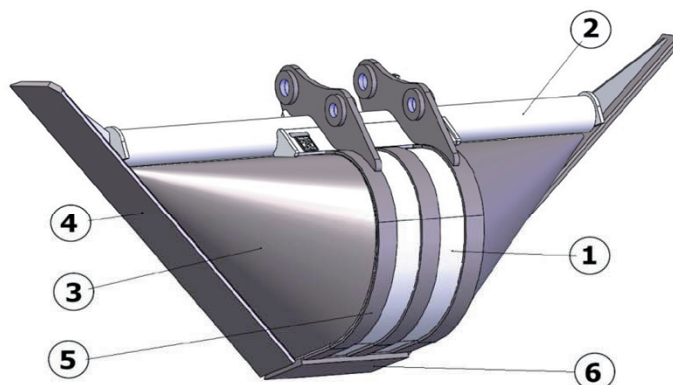
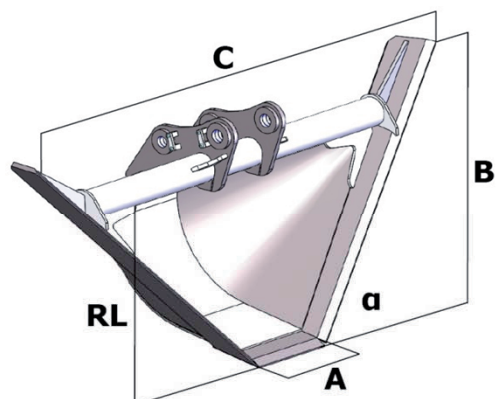
Classe Class	Codice Code	A mm.	Cap. SAE Lt.	Gradi α Degrees	Peso Kg. Weight	RL mm.	B mm.	C mm.	Listino € Price List
T.35 4,0 - 5,2 ton	T35TRB030	300	204	45°	150	600	809	1792	/
	T35TRC030		172	52°	140			1465	/
	T35TRD030		140	60°	130			1161	/
		1	2	3	4	5	6	7	8
Materiale	Material	S355	S355	S355	EN 250	S355	EN 250	/	/
Spessore	Thickness	6 mm	88.9 x 12.5 mm	5 mm	150 x 16 mm	50 x 8 mm	200 x 20 mm	/	/

Classe Class	Codice Code	A mm.	Cap. SAE Lt.	Gradi α Degrees	Peso Kg. Weight	RL mm.	B mm.	C mm.	Listino € Price List
T.45 5,3 - 7,0 ton	T45TRB030	300	259	45°	183	675	897	1918	/
	T45TRC030		230	52°	170			1564	/
	T45TRD030		201	60°	156			1234	/
		1	2	3	4	5	6	7	8
Materiale	Material	S355	S355	S355	EN 250	S355	EN 250	/	/
Spessore	Thickness	6 mm	101.6 x 12.5 mm	5 mm	150 x 20 mm	50 x 8 mm	200 x 20 mm	/	/

Classe Class	Codice Code	A mm.	Cap. SAE Lt.	Gradi α Degrees	Peso Kg. Weight	RL mm.	B mm.	C mm.	Listino € Price List
T.48 7,1 - 9,5 ton	T48TRB030	300	280	45°	195	700	922	2144	/
	T48TRC030		250	52°	180			1744	/
	T48TRD030		220	60°	165			1364	/
		1	2	3	4	5	6	7	8
Materiale	Material	S355	S355	S355	EN 250	S355	HB 400	/	/
Spessore	Thickness	8 mm	101.6 x 12.5 mm	5 mm	150 x 20 mm	50 x 8 mm	200 x 20 mm	/	/

Classe Class	Codice Code	A mm.	Cap. SAE Lt.	Gradi α Degrees	Peso Kg. Weight	RL mm.	B mm.	C mm.	Listino € Price List
T.50 9,6 - 12,5 ton	T50TRB030	300	320	45°	285	750	989	2278	/
	T50TRC030		290	52°	250			1845	/
	T50TRD030		260	60°	215			1442	/
		1	2	3	4	5	6	7	8
Materiale	Material	S355	S355	S355	HB 400	S355	HB 400	/	/
Spessore	Thickness	8 mm	114.3 x 14.2 mm	5 mm	200 x 20 mm	50 x 8 mm	200 x 25 mm	/	/

BENNA TRAPEZOIDALE per escavatori
TRAPEZOIDAL BUCKET for excavators
GODET TRAPEZE pour pelles
CAZO TRAPOEZOIDAL para excavadoras
TRAPEZLÖFFEL für Bagger



Classe Class	Codice Code	A mm.	Cap. SAE Lt.	Gradi α Degrees	Peso Kg. Weight	RL mm.	B mm.	C mm.	Listino € Price List
T.55 - T.60 12,5 - 19 ton	T55TRB040	400	575	45°	455	785	1000	2400	/
	T55TRC040		510	52°	400			1900	/
	T55TRD040		470	60°	350			1600	/
		1	2	3	4	5	6	7	8
Materiale	Material	S355	S355	S355	HB 400	S355	HB 400	/	/
Spessore	Thickness	8 mm	114.3 x 16 mm	6 mm	200 x 20 mm	80 x 12 mm	250 x 25 mm	/	/

Classe Class	Codice Code	A mm.	Cap. SAE Lt.	Gradi α Degrees	Peso Kg. Weight	RL mm.	B mm.	C mm.	Listino € Price List
T.65 - T.66 19 - 26 ton	T65TRA050	500	1000	39°	650	980	1210	3500	/
	T65TRB050		880	45°	600			2900	/
	T65TRC050		750	52°	550			2300	/
	T65TRD050		680	60°	520			1900	/
		1	2	3	4	5	6	7	8
Materiale	Material	S355	S355	S355	HB 400	S355	HB 400	/	/
Spessore	Thickness	10 mm	152.4 x 20 mm	6 mm	250 x 25 mm	80 x 12 mm	300 x 30 mm	/	/

Classe Class	Codice Code	A mm.	Cap. SAE Lt.	Gradi α Degrees	Peso Kg. Weight	RL mm.	B mm.	C mm.	Listino € Price List
T.68	T68TRB050	500	1600	39°	850	1250	1500	4250	/
T.69 - T.70 26 - 43 t	T68TRC050		1400	45°	780			3500	/
	T68TRD050		1200	52°	700			2800	/
		1	2	3	4	5	6	7	8
Materiale	Material	S355	S355	S355	HB 400	S355	HB 400	/	/
Spessore	Thickness	10 mm	152.4 x 20 mm	6 mm	250 x 25 mm	80 x 12 mm	300 x 30 mm	/	/