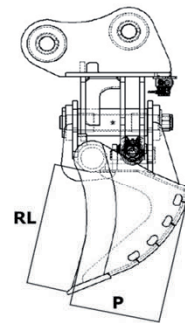
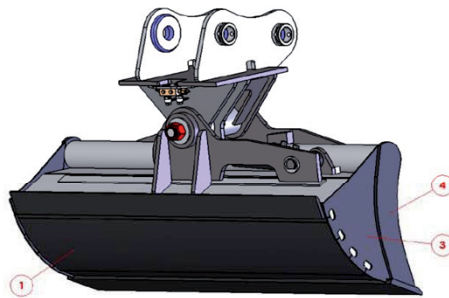
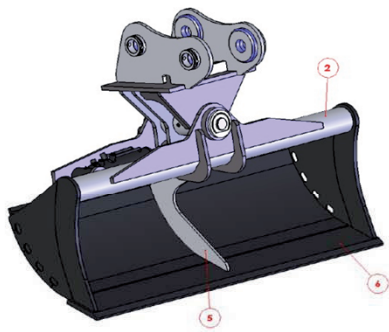


BENNA ORIENTABILE MODELLO A ZAPPA per escavatori
SWIVELING BUCKET SQUARED PROFILE for excavators
GODET CURAGE INCLINABLE PROFIL A FOND PLAT pour pelles
CAZO ORIENTABLE MODELO "A ZAPPA" para excavadoras
SCHWENKLÖFFEL SCHABEPROFIL für Bagger



Classe Class	Codice Code	L mm.	Cap. SAE Lt.	Cilindri n° Cylinders	Peso Kg. Weight	RL mm.	P mm.	Listino € Price List
T.20 1,2 - 1,8 ton	T20ORZ080	800	70	1	75	350	230	/
	T20ORZ100	1000	89	1	84			/
	T20ORZ120	1200	109	1	94			/
		1	2	3	4	5	6	7
Materiale	Material	S355	S355	S355	S355	S355	EN 250	/
Spessore	Thickness	4 mm	60 x 10 mm	4 mm	10 mm	10 mm	150 x 16 mm	/

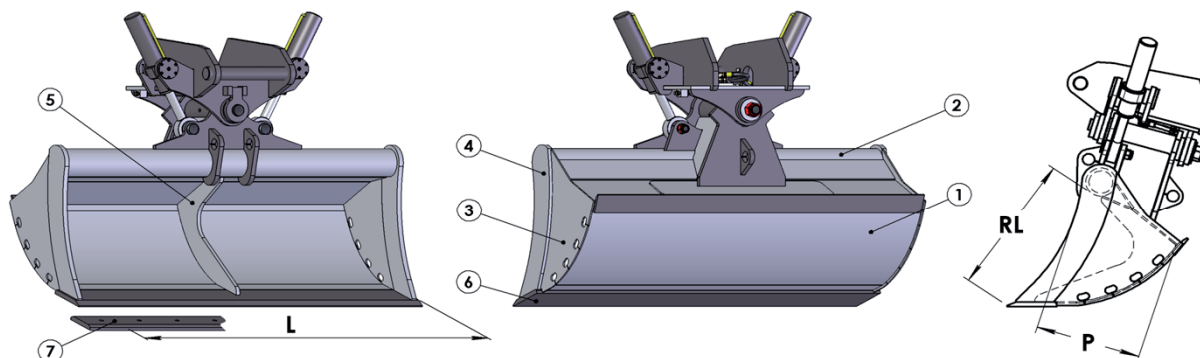
Classe Class	Codice Code	L mm.	Cap. SAE Lt.	Cilindri n° Cylinders	Peso Kg. Weight	RL mm.	P mm.	Listino € Price List
T.25 1,9 - 2,8 ton	T25ORZ105	1050	116	1	143	370	260	/
	T25ORZ120	1200	136	1	152			/
	T25ORZ140	1400	161	1	166			/
		1	2	3	4	5	6	7
Materiale	Material	S355	S355	S355	S355	S355	EN 250	/
Spessore	Thickness	5 mm	76 x 8 mm	5 mm	12 mm	12 mm	150 x 20 mm	/

Classe Class	Codice Code	L mm.	Cap. SAE Lt.	Cilindri n° Cylinders	Peso Kg. Weight	RL mm.	P mm.	Listino € Price List
T.30 2,9 - 3,9 ton	T30ORZ105	1050	148	1	152	420	285	/
	T30ORZ120	1200	172	1	163			/
	T30ORZ140	1400	203	1	177			/
		1	2	3	4	5	6	7
Materiale	Material	S355	S355	S355	S355	S355	EN 250	/
Spessore	Thickness	5 mm	76 x 12 mm	5 mm	12 mm	12 mm	150 x 20 mm	/

Classe Class	Codice Code	L mm.	Cap. SAE Lt.	Cilindri n° Cylinders	Peso Kg. Weight	RL mm.	P mm.	Listino € Price List
T.35 4,0 - 5,2 ton	T35ORZ120	1200	195	1	186	460	320	/
	T35ORZ140	1400	231	1	202			/
	T35ORZ150	1500	248	1	210			/
	T35ORZ160	1600	266	1	218			/
		1	2	3	4	5	6	7
Materiale	Material	S355	S355	S355	S355	S355	EN 250	/
Spessore	Thickness	5 mm	76 x 12 mm	5 mm	15 mm	15 mm	200 x 20 mm	/

Classe Class	Codice Code	L mm.	Cap. SAE Lt.	Cilindri n° Cylinders	Peso Kg. Weight	RL mm.	P mm.	Listino € Price List
T.45 5,3 - 7,0 ton	T45ORZ125	1250	260	1	275	520	380	/
	T45ORZ140	1400	295	1	291			/
	T45ORZ150	1500	318	1	303			/
	T45ORZ160	1600	341	1	311			/
		1	2	3	4	5	6	7
Materiale	Material	S355	S355	S355	S355	S355	EN 250	/
Spessore	Thickness	6 mm	89 x 10 mm	6 mm	15 mm	15 mm	250 x 25 mm	/

BENNA ORIENTABILE MODELLO A ZAPPA per escavatori
SWIVELING BUCKET SQUARED PROFILE for excavators
GODET CURAGE INCLINABLE PROFIL A FOND PLAT pour pelles
CAZO ORIENTABLE MODELO "A ZAPPA" para excavadoras
SCHWENKLÖFFEL SCHABEPROFIL für Bagger



Classe Class	Codice Code	L mm.	Cap. SAE Lt.	Cilindri n° Cylinders	Peso Kg. Weight	RL mm.	P mm.	Listino € Price List	Sottolama € Bolt on blade
T.48 - T.50 7,1 - 12,5 ton	T48ORZ140	1400	290	2	443	530	381	/	/
	T48ORZ150	1500	313	2	457			/	/
	T48ORZ160	1600	336	2	470			/	/
	T48ORZ180	1800	380	2	497			/	/
	T48ORZ200	2000	426	2	524			/	/
		1	2	3	4	5	/	6	7 Optional
Materiale	Material	S355	S355	S355	S355	S355	/	HB 400	HB 400
Spessore	Thickness	8 mm	114.3 x 12.5 mm	6 mm	12 mm	15 mm	/	200 x 20 mm	150 x 20 mm

Classe Class	Codice Code	L mm.	Cap. SAE Lt.	Cilindri n° Cylinders	Peso Kg. Weight	RL mm.	P mm.	Listino € Price List	Sottolama € Bolt on blade
T.55 - T.60 12,5 - 19 ton	T55ORZ150	1500	363	2	641	569	427	/	/
	T55ORZ180	1800	442	2	688			/	/
	T55ORZ200	2000	495	2	719			/	/
	T55ORZ220	2200	548	2	759			/	/
		1	2	3	4	5	/	6	7 Optional
Materiale	Material	S355	S355	S355	S355	S355	/	HB 400	HB 400
Spessore	Thickness	8 mm	127 x 14.2 mm	6 mm	20 mm	15 mm	/	200 x 25 mm	200 x 20 mm

Classe Class	Codice Code	L mm.	Cap. SAE Lt.	Cilindri n° Cylinders	Peso Kg. Weight	RL mm.	P mm.	Listino € Price List	Sottolama € Bolt on blade
T.65 19 - 23 ton	T65ORZ180	1800	546	2	746	648	460	/	/
	T65ORZ200	2000	612	2	780			/	/
	T65ORZ220	2200	677	2	828			/	/
	T65ORZ240	2400	743	2	861			/	/
	T65ORZ250	2500	775	2	878			/	/
		1	2	3	4	5	/	6	7 Optional
Materiale	Material	S355	S355	S355	S355	S355	/	HB 400	HB 400
Spessore	Thickness	8 mm	127 x 14.2 mm	8 mm	20 mm	20 mm	/	250 x 25 mm	200 x 20 mm

Classe Class	Codice Code	L mm.	Cap. SAE Lt.	Cilindri n° Cylinders	Peso Kg. Weight	RL mm.	P mm.	Listino € Price List	Sottolama € Bolt on blade
T.66 23 - 26 ton	T66ORZ180	1800	717	2	822	747	511	/	/
	T66ORZ200	2000	805	2	861			/	/
	T66ORZ220	2200	892	2	918			/	/
	T66ORZ240	2400	980	2	958			/	/
	T66ORZ250	2500	1023	2	978			/	/
		1	2	3	4	5	/	6	7 Optional
Materiale	Material	S355	S355	S355	S355	S355	/	HB 400	HB 400
Spessore	Thickness	8 mm	152.4 x 16 mm	8 mm	25 mm	20 mm	/	250 x 25 mm	200 x 20 mm

Classe Class	Codice Code	L mm.	Cap. SAE Lt.	Cilindri n° Cylinders	Peso Kg. Weight	RL mm.	P mm.	Listino € Price List	Sottolama € Bolt on blade
T.68 T.69 - T.70 26 - 43 ton	T68ORZ180	1800	937	2	1238	861	593	/	/
	T68ORZ200	2000	1052	2	1294			/	/
	T68ORZ220	2200	1168	2	1373			/	/
	T68ORZ240	2400	1283	2	1435			/	/
	T68ORZ250	2500	1340	2	1463			/	/
		1	2	3	4	5	/	6	7 Optional
Materiale	Material	S355	S355	S355	S355	S355	/	HB 400	HB 400
Spessore	Thickness	10 mm	177.8 x 20 mm	10 mm	30 mm	25 mm	/	300 x 30 mm	250 x 25 mm