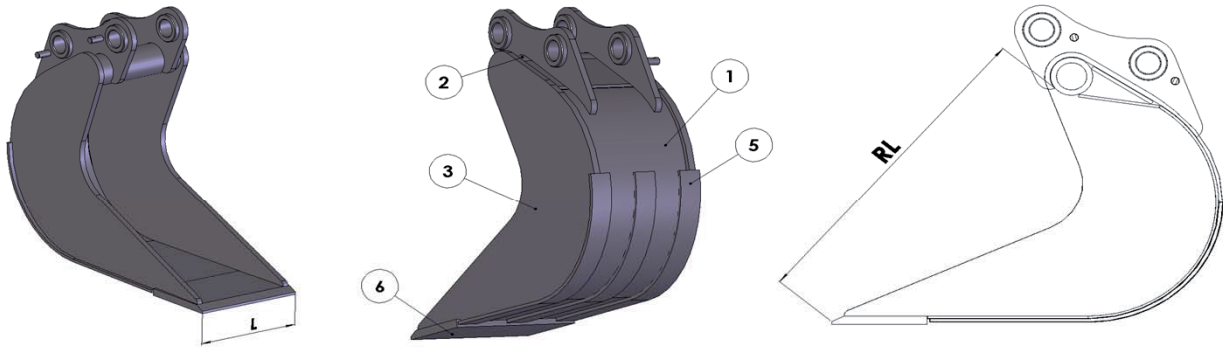


BENNA RISTRETTA METANO per escavatori
NARROW TYPE BUCKET for excavators
GODET PTT pour pelles
CAZO ESTRECHO "METANO" para excavadoras
SCHMALER LÖFFEL für Bagger

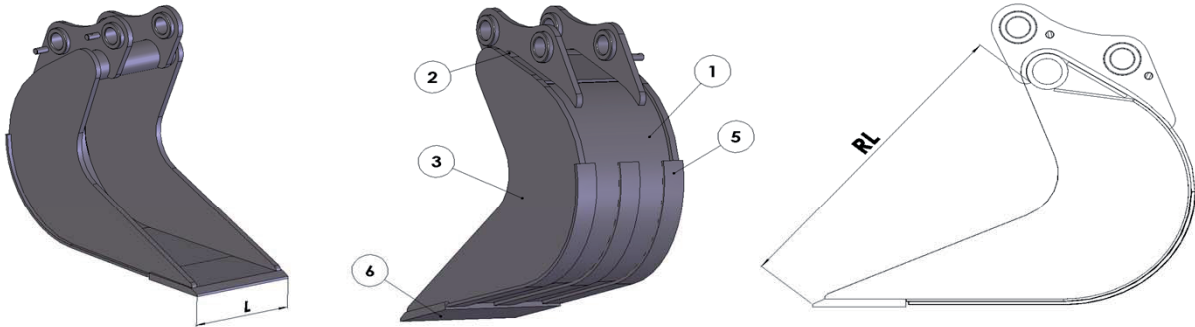


| Classe Class | Codice Code | Peso Kg. Weight | L mm. | | | RL mm. | | Listino € Price List |
|------------------------------|----------------|--------------------|------------------|------|---|--------------|----------------|-------------------------|
| T.18 - T.20 0,6 - 1,8 ton | T18ME0380 | ~ 25 | 200 / 250 | | | 380 | | / |
| | | 1 | 2 | 3 | 4 | 5 | 6 | |
| Materiale | Material | S355 | S355 | S355 | / | S355 | EN 250 | |
| Spessore | Thickness | 4 mm | 60.3 x 7.1 mm | 8 mm | / | 30 x 5 mm | 150 x 16 mm | |

| Classe Class | Codice Code | Peso Kg. Weight | L mm. | | | RL mm. | | Listino € Price List |
|-----------------------|----------------|--------------------|--------------|------|---|--------------|----------------|-------------------------|
| T.25 1,9 - 2,8 ton | T25ME0480 | ~ 46 | 250 / 300 | | | 480 | | / |
| | | 1 | 2 | 3 | 4 | 5 | 6 | |
| Materiale | Material | S355 | S355 | S355 | / | S355 | EN 250 | |
| Spessore | Thickness | 5 mm | 67 x 8 mm | 8 mm | / | 30 x 5 mm | 150 x 16 mm | |

| Classe Class | Codice Code | Peso Kg. Weight | L mm. | | | RL mm. | | Listino € Price List |
|-----------------------|----------------|--------------------|--------------|-------|---|--------------|----------------|-------------------------|
| T.30 2,9 - 3,9 ton | T30ME0600 | ~ 61 | 300 / 400 | | | 600 | | / |
| | | 1 | 2 | 3 | 4 | 5 | 6 | |
| Materiale | Material | S355 | S355 | S355 | / | S355 | EN 250 | |
| Spessore | Thickness | 5 mm | 73 x 8 mm | 12 mm | / | 50 x 6 mm | 150 x 20 mm | |

BENNA RISTRETTA METANO per escavatori
NARROW TYPE BUCKET for excavators
GODET PTT pour pelles
CAZO ESTRECHO "METANO" para excavadoras
SCHMALER LÖFFEL für Bagger



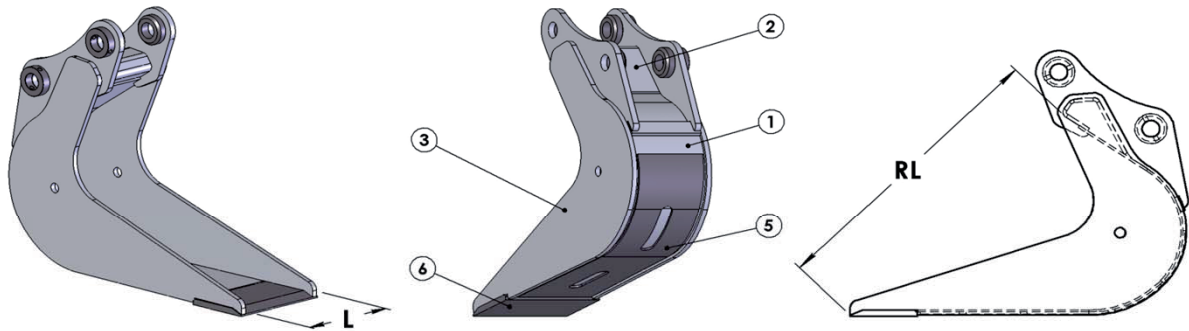
| Classe Class | Codice Code | Peso Kg. Weight | L mm. | | | RL mm. | | Listino € Price List |
|-----------------------|----------------|--------------------|-----------------|-------|---|--------------|----------------|-------------------------|
| T.35 4,0 - 5,2 ton | T35ME0800 | ~ 94 | 300 / 400 | | | 800 | | / |
| | | 1 | 2 | 3 | 4 | 5 | 6 | |
| Materiale | Material | S355 | S355 | S355 | / | S355 | EN 250 | |
| Spessore | Thickness | 6 mm | 90 x 12.5 mm | 12 mm | / | 50 x 8 mm | 200 x 20 mm | |

| Classe Class | Codice Code | Peso Kg. Weight | L mm. | | | RL mm. | | Listino € Price List |
|-----------------------|----------------|--------------------|------------------|-------|---|--------------|----------------|-------------------------|
| T.45 5,3 - 7,0 ton | T45ME0860 | ~ 116 | 300 / 400 | | | 860 | | / |
| | | 1 | 2 | 3 | 4 | 5 | 6 | |
| Materiale | Material | S355 | S355 | S355 | / | S355 | EN 250 | |
| Spessore | Thickness | 6 mm | 121 x 12.5 mm | 15 mm | / | 50 x 8 mm | 200 x 20 mm | |

| Classe Class | Codice Code | Peso Kg. Weight | L mm. | | | RL mm. | | Listino € Price List |
|-----------------------|----------------|--------------------|------------------|-------|---|--------------|----------------|-------------------------|
| T.48 7,1 - 9,5 ton | T48ME0900 | ~ 138 | 300 / 400 | | | 900 | | / |
| | | 1 | 2 | 3 | 4 | 5 | 6 | |
| Materiale | Material | S355 | S355 | S355 | / | S355 | EN 250 | |
| Spessore | Thickness | 6 mm | 121 x 14.2 mm | 15 mm | / | 70 x 8 mm | 200 x 25 mm | |

| Classe Class | Codice Code | Peso Kg. Weight | L mm. | | | RL mm. | | Listino € Price List |
|------------------------|----------------|--------------------|------------------|-------|---|--------------|----------------|-------------------------|
| T.50 9,6 - 12,5 ton | T50ME0960 | ~ 198 | 300 / 400 | | | 960 | | / |
| | | 1 | 2 | 3 | 4 | 5 | 6 | |
| Materiale | Material | S355 | S355 | S355 | / | S355 | EN 250 | |
| Spessore | Thickness | 6 mm | 127 x 14.2 mm | 15 mm | / | 70 x 8 mm | 250 x 30 mm | |

BENNA RISTRETTA METANO per escavatori
NARROW TYPE BUCKET for excavators
GODET PTT pour pelles
CAZO ESTRECHO "METANO" para excavadoras
SCHMALER LÖFFEL für Bagger



| Classe Class | Codice Code | Peso Kg. Weight | L mm. | | | RL mm. | | Listino € Price List |
|---------------------|----------------|--------------------|----------|-------|---|-----------|-------------|-------------------------|
| T.55 12,5 - 16 t | T55ME1030 | ~ 275 | 300 | | | 1130 | | / |
| | T55ME1040 | ~ 300 | 400 | | | | | / |
| | | 1 | 2 | 3 | 4 | 5 | 6 | |
| Materiale | Material | S355 | S355 | S355 | / | S355 | EN 250 | |
| Spessore | Thickness | 8 mm | 12 mm | 20 mm | / | 8 mm | 270 x 32 mm | |

| Classe Class | Codice Code | Peso Kg. Weight | L mm. | | | RL mm. | | Listino € Price List |
|-------------------|----------------|--------------------|----------|-------|---|-----------|-------------|-------------------------|
| T.60 16 - 19 t | T60ME1040 | ~ 376 | 400 | | | 1175 | | / |
| | T60ME1050 | ~ 408 | 500 | | | | | / |
| | | 1 | 2 | 3 | 4 | 5 | 6 | |
| Materiale | Material | S355 | S355 | S355 | / | S355 | EN 250 | |
| Spessore | Thickness | 8 mm | 12 mm | 20 mm | / | 8 mm | 270 x 32 mm | |

| Classe Class | Codice Code | Peso Kg. Weight | L mm. | | | RL mm. | | Listino € Price List |
|--------------------------|----------------|--------------------|----------|-------|---|-----------|-------------|-------------------------|
| T.65 - T.66 19 - 26 t | T65ME1040 | ~ 465 | 400 | | | 1320 | | / |
| | T65ME1050 | ~ 524 | 500 | | | | | / |
| | | 1 | 2 | 3 | 4 | 5 | 6 | |
| Materiale | Material | S355 | S355 | S355 | / | S355 | HB 400 | |
| Spessore | Thickness | 10 mm | 18 mm | 25 mm | / | 10 mm | 300 x 30 mm | |

| Classe Class | Codice Code | Peso Kg. Weight | L mm. | | | RL mm. | | Listino € Price List |
|---------------------------------|----------------|--------------------|----------|-------|---|-----------|-------------|-------------------------|
| T.68 - T.69 - T.70 26 - 43 t | T68ME1040 | ~ 712 | 400 | | | 1500 | | / |
| | T68ME1050 | ~ 786 | 500 | | | | | / |
| | | 1 | 2 | 3 | 4 | 5 | 6 | |
| Materiale | Material | S355 | S355 | S355 | / | S355 | HB 400 | |
| Spessore | Thickness | 10 mm | 20 mm | 30 mm | / | 10 mm | 400 x 40 mm | |