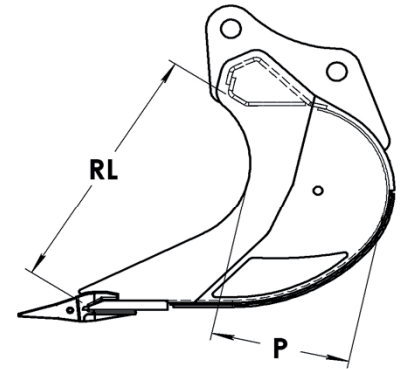
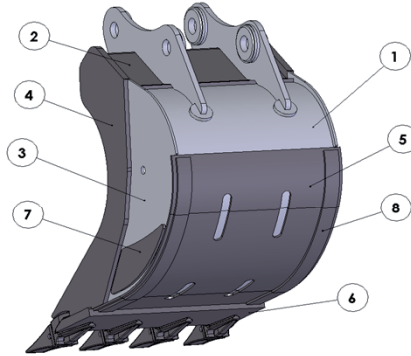
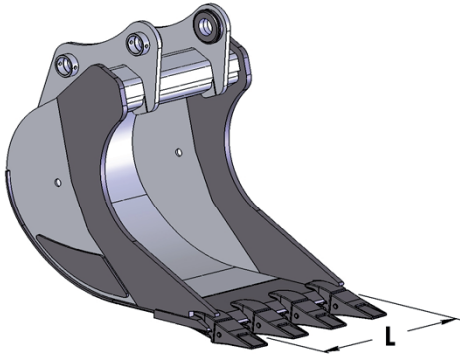


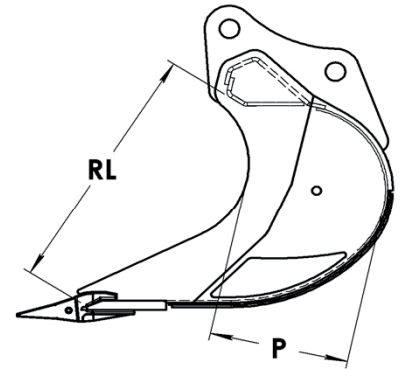
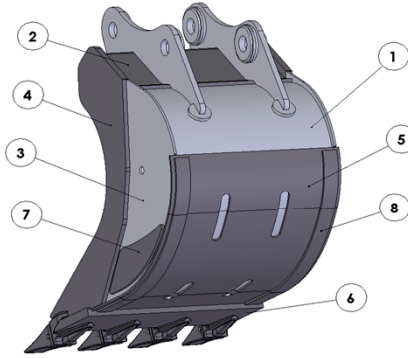
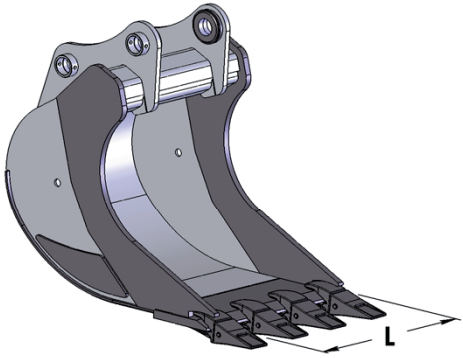
BENNA ROCCIA per escavatori da 12,5 ton
ROCK BUCKET for excavators from 12,5 ton
GODET ROCHER pour pelles de 12,5 ton
CAZO DE ROCA para excavadoras desde 12,5 ton
FELSTIEFLÖFFEL für Bagger von 12,5 ton



Classe Class	Codice Code	L mm.	Cap. SAE Lt.	Denti n° Teeth	Peso Kg. Weight	RL mm.	P mm.	Tipologia Denti - Teeth Type	
T.55 12,5 - 16 ton	T55RK0040	400	153	3	318	915	525	CAT J 300	Esco U25 S
	T55RK0050	500	210	3	350			CAT J 300	Esco U25 S
	T55RK0060	600	271	3	382			CAT J 300	Esco U25 S
	T55RK0070	700	341	3	425			CAT J 300	Esco U25 S
	T55RK0080	800	405	4	466			CAT J 300	Esco U25 S
	T55RK0100	1000	534	4	535			CAT J 300	Esco U25 S
	T55RK0110	1100	600	5	584			CAT J 300	Esco U25 S
		1	2	3	4	5	6	7	8
Materiale	Material	S355	S355	S355	Hardox 400	Hardox 400	HB 400	Hardox 400	Hardox 400
Spessore	Thickness	10 mm	18 mm	10 mm	20 mm	8 mm	270 x 32 mm	10 mm	8 mm

Classe Class	Codice Code	L mm.	Cap. SAE Lt.	Denti n° Teeth	Peso Kg. Weight	RL mm.	P mm.	Tipologia Denti - Teeth Type	
T.60 16 - 19 ton	T60RK0050	500	240	3	406	1031	561	CAT J 300	Esco U30 S
	T60RK0060	600	312	3	439			CAT J 300	Esco U30 S
	T60RK0070	700	387	4	482			CAT J 300	Esco U30 S
	T60RK0080	800	491	4	535			CAT J 300	Esco U30 S
	T60RK0100	1000	650	5	611			CAT J 300	Esco U30 S
	T60RK0120	1200	811	6	693			CAT J 300	Esco U30 S
		1	2	3	4	5	6	7	8
Materiale	Material	S355	S355	S355	Hardox 400	Hardox 400	HB 400	Hardox 400	Hardox 400
Spessore	Thickness	10 mm	18 mm	10 mm	25 mm	8 mm	300 x 30 mm	12 mm	8 mm

BENNA ROCCIA per escavatori da 12,5 ton
ROCK BUCKET for excavators from 12,5 ton
GODET ROCHER pour pelles de 12,5 ton
CAZO DE ROCA para excavadoras desde 12,5 ton
FELSTIEFLÖFFEL für Bagger von 12,5 ton



Classe Class	Codice Code	L mm.	Cap. SAE Lt.	Denti n° Teeth	Peso Kg. Weight	RL mm.	P mm.	Tipologia Denti - Teeth Type	
T.65 19 - 23 ton	T65RK0050	500	285	3	499	1120	605	CAT J 350	Esco U35 S
	T65RK0060	600	370	3	544			CAT J 350	Esco U35 S
	T65RK0070	700	450	3	589			CAT J 350	Esco U35 S
	T65RK0080	800	535	4	670			CAT J 350	Esco U35 S
	T65RK0100	1000	695	4	764			CAT J 350	Esco U35 S
	T65RK0120	1200	860	5	866			CAT J 350	Esco U35 S
	T65RK0130	1300	945	5	911			CAT J 350	Esco U35 S
		1	2	3	4	5	6	7	8
Materiale	Material	S355	S355	S355	Hardox 400	Hardox 400	HB 400	Hardox 400	Hardox 400
Spessore	Thickness	12 mm	18 mm	12 mm	25 mm	10 mm	300 x 40 mm	12 mm	10 mm

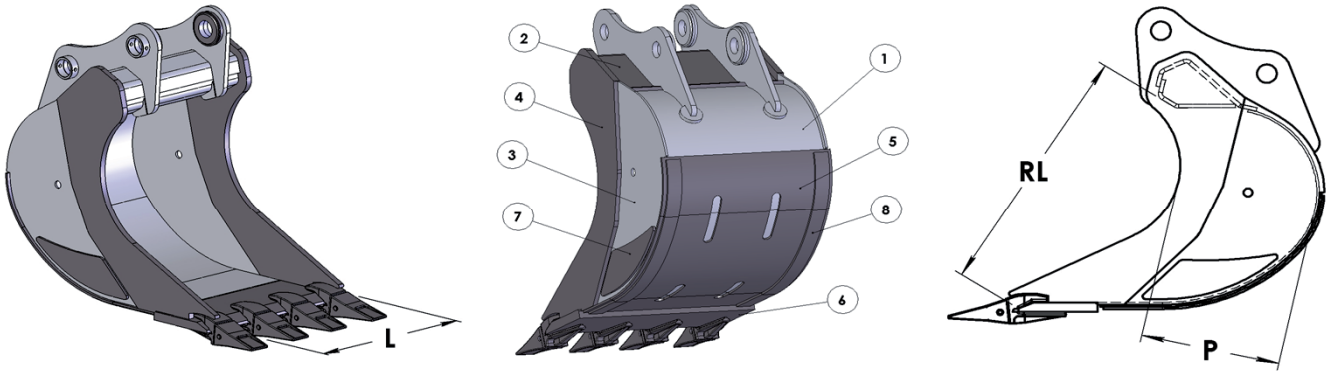
Classe Class	Codice Code	L mm.	Cap. SAE Lt.	Denti n° Teeth	Peso Kg. Weight	RL mm.	P mm.	Tipologia Denti - Teeth Type	
T.66 23 - 26 ton	T66RK0050	500	310	3	560	1192	654	CAT J 400	Esco U40 S
	T66RK0060	600	400	3	607			CAT J 400	Esco U40 S
	T66RK0070	700	490	3	654			CAT J 400	Esco U40 S
	T66RK0080	800	580	4	740			CAT J 400	Esco U40 S
	T66RK0100	1000	760	4	833			CAT J 400	Esco U40 S
	T66RK0120	1200	940	5	936			CAT J 400	Esco U40 S
	T66RK0130	1300	1030	5	984			CAT J 400	Esco U40 S
		1	2	3	4	5	6	7	8
Materiale	Material	S355	S355	S355	Hardox 400	Hardox 400	HB 400	Hardox 400	Hardox 400
Spessore	Thickness	12 mm	18 mm	12 mm	30 mm	10 mm	300 x 40 mm	15 mm	10 mm

Classe Class	Codice Code	L mm.	Cap. SAE Lt.	Denti n° Teeth	Peso Kg. Weight	RL mm.	P mm.	Tipologia Denti - Teeth Type	
T.68 26 - 31 ton	T68RK0070	700	540	3	869	1220	705	CAT J 460	Esco U40 S
	T68RK0080	800	640	4	973			CAT J 460	Esco U40 S
	T68RK0100	1000	835	4	1094			CAT J 460	Esco U40 S
	T68RK0120	1200	1035	4	1215			CAT J 460	Esco U40 S
	T68RK0135	1350	1185	5	1328			CAT J 460	Esco U40 S
	T68RK0150	1500	1335	5	1415			CAT J 460	Esco U40 S
	T68RK0160	1600	1430	5	1469			CAT J 460	Esco U40 S
		1	2	3	4	5	6	7	8
Materiale	Material	S355	S355	S355	Hardox 400	Hardox 400	Hardox 400	Hardox 400	Hardox 400
Spessore	Thickness	12 mm	20 mm	12 mm	35 mm	10 mm	400 x 50 mm	15 mm	10 mm

Classe Class	Codice Code	L mm.	Cap. SAE Lt.	Denti n° Teeth	Peso Kg. Weight	RL mm.	P mm.	Tipologia Denti - Teeth Type	
T.69 31 - 38 ton	T69RK0080	800	870	3	1042	1290	710	CAT J 460	Esco U45 S
	T69RK0100	1000	1155	4	1177			CAT J 460	Esco U45 S
	T69RK0120	1200	1450	4	1308			CAT J 460	Esco U45 S
	T69RK0135	1350	1.680	4	1411			CAT J 460	Esco U45 S
	T69RK0140	1400	1750	5	1446			CAT J 460	Esco U45 S
	T69RK0150	1500	1900	5	1526			CAT J 460	Esco U45 S
		1	2	3	4	5	6	7	8
Materiale	Material	S355	S355	S355	Hardox 400	Hardox 400	Hardox 400	Hardox 400	Hardox 400
Spessore	Thickness	12 mm	20 mm	12 mm	35 mm	10 mm	400 x 50 mm	15 mm	10 mm

Classe Class	Codice Code	L mm.	Cap. SAE Lt.	Denti n° Teeth	Peso Kg. Weight	RL mm.	P mm.	Tipologia Denti - Teeth Type	
T.70 38 - 43 ton	T70RK0080	800	988	3	1110	1353	710	CAT J 460	Esco U45 S
	T70RK0100	1000	1312	4	1260			CAT J 460	Esco U45 S
	T70RK0120	1200	1646	4	1400			CAT J 460	Esco U45 S
	T70RK0135	1350	1902	4	1494			CAT J 460	Esco U45 S
	T70RK0140	1400	1987	4	1555			CAT J 460	Esco U45 S
	T70RK0150	1500	2160	5	1636			CAT J 460	Esco U45 S
		1	2	3	4	5	6	7	8
Materiale	Material	S355	S355	S355	Hardox 400	Hardox 400	Hardox 400	Hardox 400	Hardox 400
Spessore	Thickness	12 mm	20 mm	12 mm	35 mm	12 mm	400 x 50 mm	15 mm	12 mm

BENNA ROCCIA per escavatori da 12,5 ton
ROCK BUCKET for excavators from 12,5 ton
GODET ROCHER pour pelles de 12,5 ton
CAZO DE ROCA para excavadoras desde 12,5 ton
FELSTIEFLÖFFEL für Bagger von 12,5 ton



Classe Class	Codice Code	L mm.	Cap. SAE Lt.	Denti n° Teeth	Peso Kg. Weight	RL mm.	P mm.	Tipologia Denti - Teeth Type	
T.75 43 - 55 ton	T75RK0115	1150	1465	4	2006	1550	880	CAT J 550	Esco U55 S
	T75RK0135	1350	1805	4	2265			CAT J 550	Esco U55 S
	T75RK0150	1500	2060	4	2394			CAT J 550	Esco U55 S
	T75RK0165	1650	2315	5	2578			CAT J 550	Esco U55 S
	T75RK0175	1750	2485	5	2662			CAT J 550	Esco U55 S
	T75RK0185	1850	2655	5	2752			CAT J 550	Esco U55 S
	T75RK0195	1950	2825	6	2842			CAT J 550	Esco U55 S
	T75RK0215	2150	3165	6	3070			CAT J 550	Esco U55 S
		1	2	3	4	5	6	7	8
Materiale	Material	Hardox 400	S355	S355	Hardox 400	Hardox 400	Hardox 400	Hardox 400	Hardox 400
Spessore	Thickness	12 mm	25 mm	12 mm	50 mm	15 mm	400 x 60 mm	15 mm	12 mm

Quotazioni e caratteristiche tecniche disponibili su richiesta per la classe T.80 e T.85

Quotations and technical details available upon request for T.80 and T.85 class

Devis et caractéristiques techniques sur demande pour classe T.80 et T.85

Cotizaciones y características técnicas disponibles a petición para las clases T.80 y T.85

Preise und technische unterlagen sind auf verfügbar auf Anfrage für T.80 und T.85 Klasse