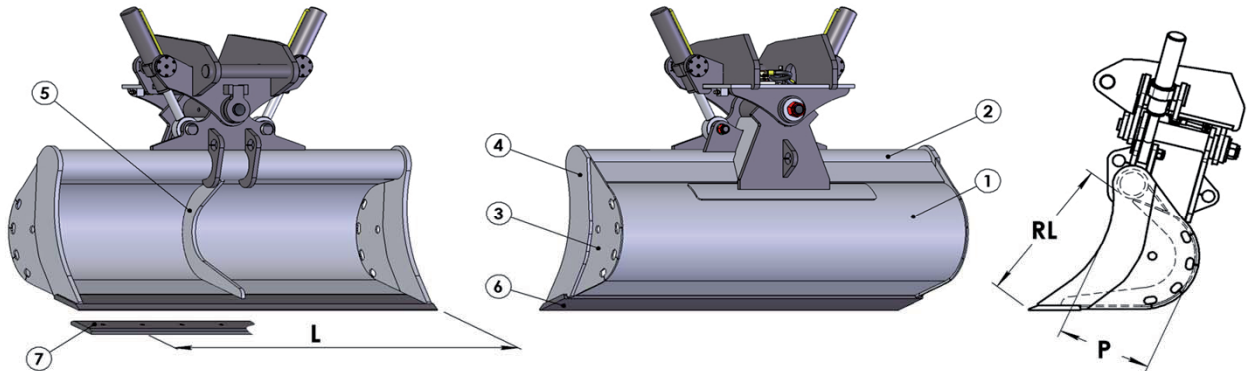


**BENNA ORIENTABILE MODELLO ROTONDO per escavatori**  
**SWIVELING BUCKET ROUND PROFILE for excavators**  
**GODET CURAGE INCLINABLE PROFIL ARRONDI pour pelles**  
**CAZO ORIENTABLE MODELO REDONDO para excavadoras**  
**SCHWENKLÖFFEL RUNDPROFIL für Bagger**



Classe Class	Codice Code	L mm.	Cap. SAE Lt.	Cilindri n° Cylinders	Peso Kg. Weight	RL mm.	P mm.	Listino € Price List	Sottolama € Bolt on blade
T.48 - T.50 7,1 - 12,5 ton	T48ORR140	1400	287	2	419	531	337	/	/
	T48ORR150	1500	310	2	431			/	/
	T48ORR160	1600	332	2	443			/	/
	T48ORR180	1800	377	2	466			/	/
	T48ORR200	2000	422	2	490			/	/
		<b>1</b>	<b>2</b>	<b>3</b>	<b>4</b>	<b>5</b>	<b>/</b>	<b>6</b>	<b>7 Optional</b>
Materiale	Material	S355	S355	S355	S355	S355	/	HB 400	HB 400
Spessore	Thickness	8 mm	114.3 x 12.5 mm	6 mm	12 mm	15 mm	/	200 x 20 mm	150 x 20 mm

Classe Class	Codice Code	L mm.	Cap. SAE Lt.	Cilindri n° Cylinders	Peso Kg. Weight	RL mm.	P mm.	Listino € Price List	Sottolama € Bolt on blade
T.55 - T.60 12,5 - 19 ton	T55ORR150	1500	353	2	615	570	345	/	/
	T55ORR180	1800	431	2	657			/	/
	T55ORR200	2000	483	2	685			/	/
	T55ORR220	2200	534	2	718			/	/
		<b>1</b>	<b>2</b>	<b>3</b>	<b>4</b>	<b>5</b>	<b>/</b>	<b>6</b>	<b>7 Optional</b>
Materiale	Material	S355	S355	S355	S355	S355	/	HB 400	HB 400
Spessore	Thickness	8 mm	127 x 14.2 mm	6 mm	20 mm	15 mm	/	200 x 25 mm	200 x 20 mm

Classe Class	Codice Code	L mm.	Cap. SAE Lt.	Cilindri n° Cylinders	Peso Kg. Weight	RL mm.	P mm.	Listino € Price List	Sottolama € Bolt on blade
T.65 19 - 23 ton	T65ORR180	1800	554	2	712	650	381	/	/
	T65ORR200	2000	620	2	743			/	/
	T65ORR220	2200	687	2	784			/	/
	T65ORR240	2400	750	2	813			/	/
	T65ORR250	2500	783	2	829			/	/
		<b>1</b>	<b>2</b>	<b>3</b>	<b>4</b>	<b>5</b>	<b>/</b>	<b>6</b>	<b>7 Optional</b>
<b>Materiale</b>	<b>Material</b>	S355	S355	S355	S355	S355	/	HB 400	HB 400
<b>Spessore</b>	<b>Thickness</b>	8 mm	127 x 14.2 mm	8 mm	25 mm	20 mm	/	250 x 25 mm	200 x 20 mm

Classe Class	Codice Code	L mm.	Cap. SAE Lt.	Cilindri n° Cylinders	Peso Kg. Weight	RL mm.	P mm.	Listino € Price List	Sottolama € Bolt on blade
T.66 23 - 26 ton	T66ORR180	1800	738	2	796	750	460	/	/
	T66ORR200	2000	828	2	832			/	/
	T66ORR220	2200	917	2	882			/	/
	T66ORR240	2400	1007	2	918			/	/
	T66ORR250	2500	1052	2	936			/	/
		<b>1</b>	<b>2</b>	<b>3</b>	<b>4</b>	<b>5</b>	<b>/</b>	<b>6</b>	<b>7 Optional</b>
<b>Materiale</b>	<b>Material</b>	S355	S355	S355	S355	S355	/	HB 400	HB 400
<b>Spessore</b>	<b>Thickness</b>	8 mm	152.4 x 16 mm	8 mm	25 mm	20 mm	/	250 x 25 mm	200 x 20 mm

Classe Class	Codice Code	L mm.	Cap. SAE Lt.	Cilindri n° Cylinders	Peso Kg. Weight	RL mm.	P mm.	Listino € Price List	Sottolama € Bolt on blade
T.68 T.69 - T.70 26 - 43 ton	T68ORR180	1800	956	2	1210	860	529	/	/
	T68ORR200	2000	1074	2	1263			/	/
	T68ORR220	2200	1191	2	1337			/	/
	T68ORR240	2400	1309	2	1390			/	/
	T68ORR250	2500	1366	2	1416			/	/
		<b>1</b>	<b>2</b>	<b>3</b>	<b>4</b>	<b>5</b>	<b>/</b>	<b>6</b>	<b>7 Optional</b>
<b>Materiale</b>	<b>Material</b>	S355	S355	S355	S355	S355	/	HB 400	HB 400
<b>Spessore</b>	<b>Thickness</b>	10 mm	177.8 x 20 mm	10 mm	30 mm	25 mm	/	300 x 30 mm	250 x 25 mm