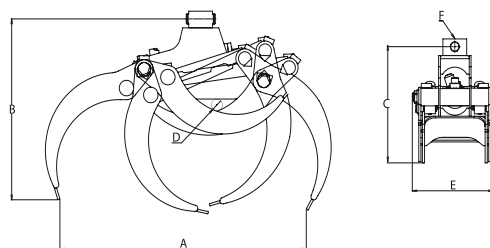


TG 08

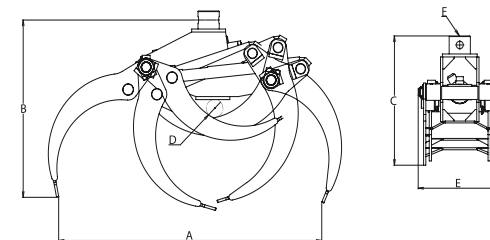


A	B	C	D	E	F
690	465	300	32	224	40/20



TG 08	25	0,08	160	15	4	0,5	0,3			
-------	----	------	-----	----	---	-----	-----	--	--	--

TG 16

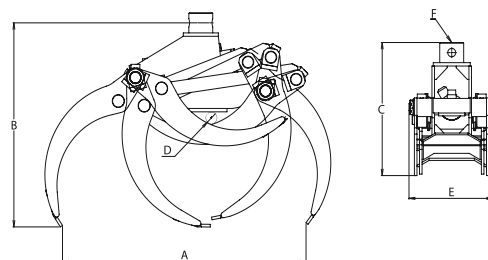


A	B	C	D	E	F
933	590	400	60	287	50/25



TG 16	50	0,16	200	40	9	2	0,8			
-------	----	------	-----	----	---	---	-----	--	--	--

TG 12

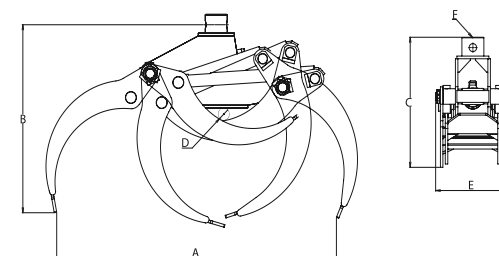


A	B	C	D	E	F
765	610	366	38	263	50/25



TG 12	44	0,12	200	30	8	2	0,6			
-------	----	------	-----	----	---	---	-----	--	--	--

TG 19

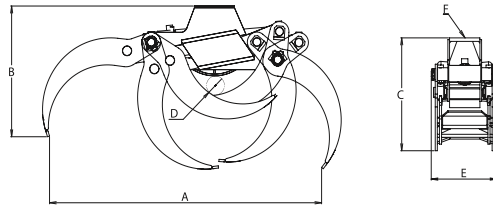


A	B	C	D	E	F
1120	704	454	47	291	50/25



TG 19	74	0,18	200	40	10	2,5	1			
-------	----	------	-----	----	----	-----	---	--	--	--

TG 22

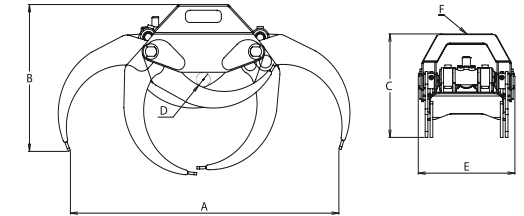


A	B	C	D	E	F
1287	594	509	87	311	173/4



TG 22	98	0,22	200	50	13,5	3	1,5			
-------	----	------	-----	----	------	---	-----	--	--	--

TG 22 PRO-L

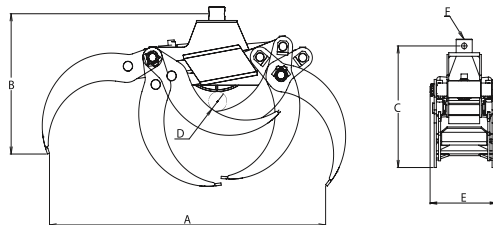


A	B	C	D	E	F
1200	623	446	65	432	173/6



TG 22 PRO-L	128	0,20	250	50	14,5	5	2			
-------------	-----	------	-----	----	------	---	---	--	--	--

TG 22-50

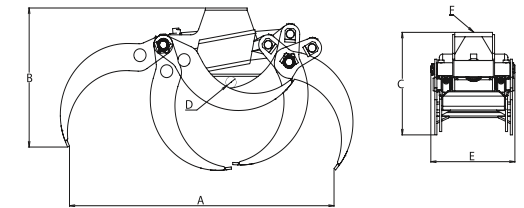


A	B	C	D	E	F
1287	624	539	87	311	50/25



TG 22-50	98	0,22	200	50	13,5	3	1,5			
----------	----	------	-----	----	------	---	-----	--	--	--

TG 23

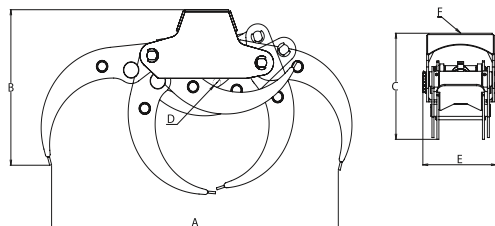


A	B	C	D	E	F
1262	631	465	55	401	140x140



TG 23	120	0,23	200	50	13,5	3	1,5			
-------	-----	------	-----	----	------	---	-----	--	--	--

TG 25

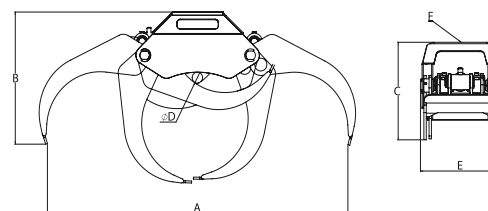


A	B	C	D	E	F
1450	746	510	40	371	173/6



TG 25	138	0,25	200	50	11	3	2			
-------	-----	------	-----	----	----	---	---	--	--	--

TG 35

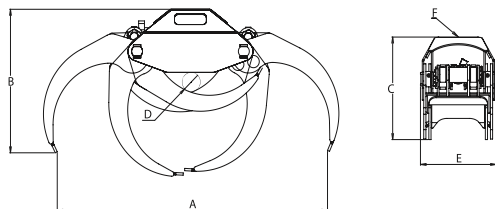


A	B	C	D	E	F
1880	807	594	65	502	173/6



TG 35	260	0,38	250	60	17,5	15	5			
-------	-----	------	-----	----	------	----	---	--	--	--

TG 28

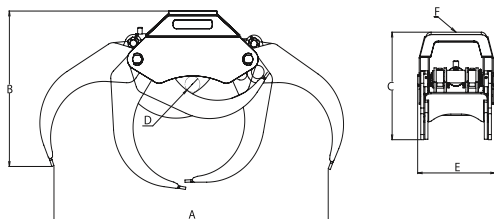


A	B	C	D	E	F
1485	750	535	100	416	173/6



TG 28	180	0,30	250	60	16,6	8	3			
-------	-----	------	-----	----	------	---	---	--	--	--

TG 42

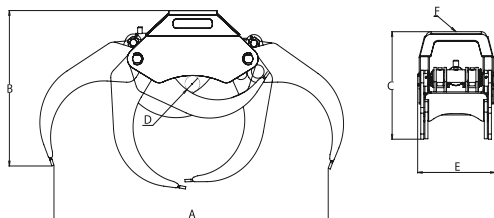


A	B	C	D	E	F
1831	982	676	100	516	173/6



TG 42	320	0,50	250	70	21,8	17	5			
-------	-----	------	-----	----	------	----	---	--	--	--

TG 55



A	B	C	D	E	F
2445	1020	795	150	563	173/6



TG 55	530	0,65	250	90	25	30	7			
-------	-----	------	-----	----	----	----	---	--	--	--

HEAVY DUTY

Timmergripare

Log grapples

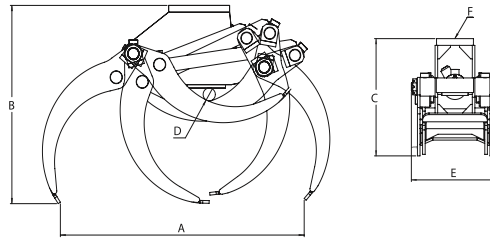
Rundholzgreifer

Pinces à bois

Pinze per tronchi

Pinzas para troncos

TG 12 S

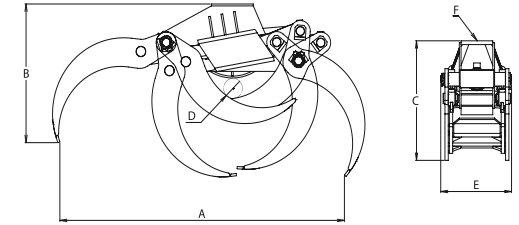


A	B	C	D	E	F
765	588	381	38	263	140x140



TG 12 S	Kg	m²	Bar	l/min	kN	tm	tm	ton	ton	ton
TG 12 S	50	0,12	200	30	8	2,5	4	2,5	1,5	0,8

TG 22 S

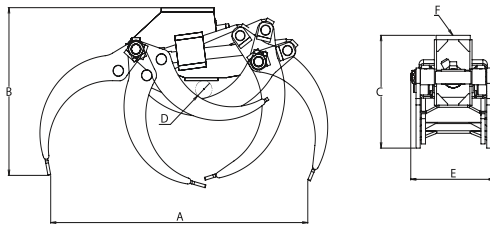


A	B	C	D	E	F
1287	594	509	87	321	173/4



TG 22 S	Kg	m²	Bar	l/min	kN	tm	tm	ton	ton	ton
TG 22 S	112	0,22	200	50	13,5	4	10	4	3	2

TG 16 S

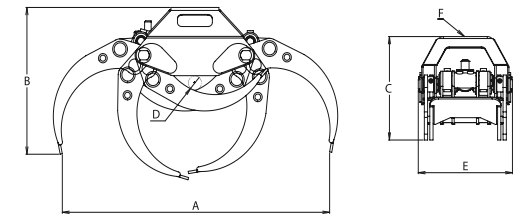


A	B	C	D	E	F
925	590	402	60	301	140x140



TG 16 S	Kg	m²	Bar	l/min	kN	tm	tm	ton	ton	ton
TG 16 S	60	0,16	200	40	9	3	5	3	2	1

TG 22 PRO-S

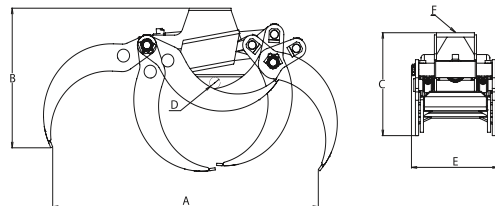


A	B	C	D	E	F
1200	623	446	65	432	173/6



TG 22 PRO S	Kg	m²	Bar	l/min	kN	tm	tm	ton	ton	ton
TG 22 PRO S	135	0,20	250	50	14,5	6	10	8	4	3

TG 23 S

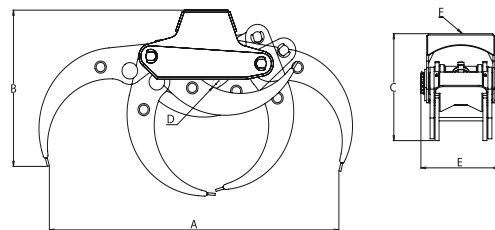


A	B	C	D	E	F
1262	631	465	55	411	140x140



TG 23 S	130	0,23	200	50	13,5	4	10	4	3	2
---------	-----	------	-----	----	------	---	----	---	---	---

TG 25 S

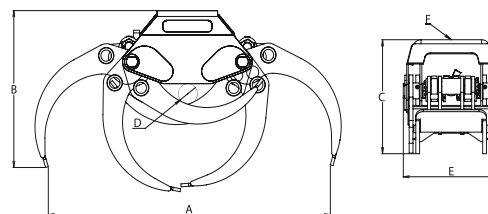


A	B	C	D	E	F
1450	746	510	40	391	173/6



TG 25 S	171	0,25	250	50	11	6	15	8	4	3
---------	-----	------	-----	----	----	---	----	---	---	---

TG 28 S

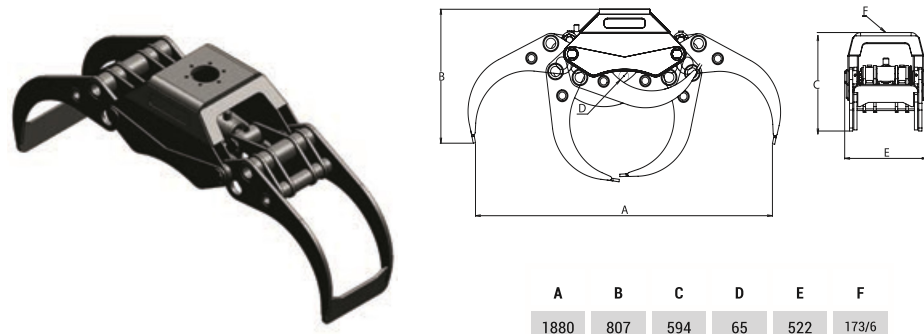


A	B	C	D	E	F
1490	785	570	100	508	173/6



TG 28 S	256	0,30	300	60	16,6	15	OK	15	10	5
---------	-----	------	-----	----	------	----	----	----	----	---

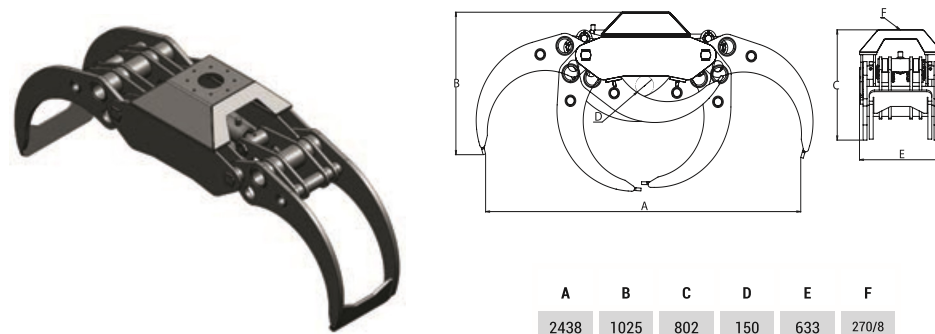
TG 35 S



A	B	C	D	E	F
1880	807	594	65	522	173/6

TG 35 S	Kg	m ²	Bar	l/min	kN	tm	OK	ton	ton	ton
TG 35 S	310	0,38	300	60	17,5	15	OK	15	12	7

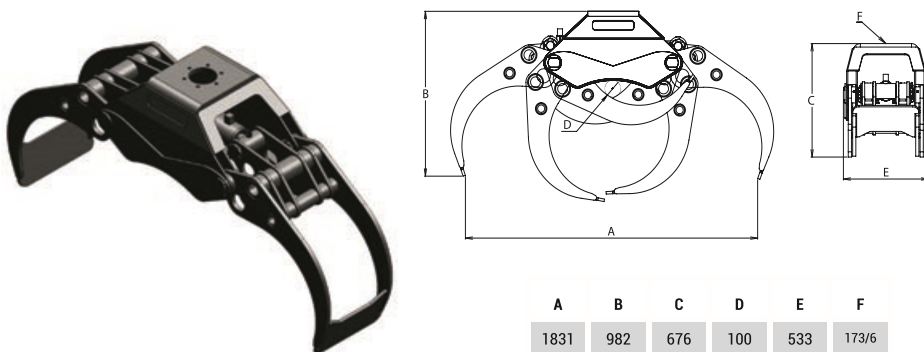
TG 55 S



A	B	C	D	E	F
2438	1025	802	150	633	270/8

TG 55 S	Kg	m ²	Bar	l/min	kN	tm	ton	ton	ton	ton
TG 55 S	682	0,65	300	90	25	30	25	20	30	10

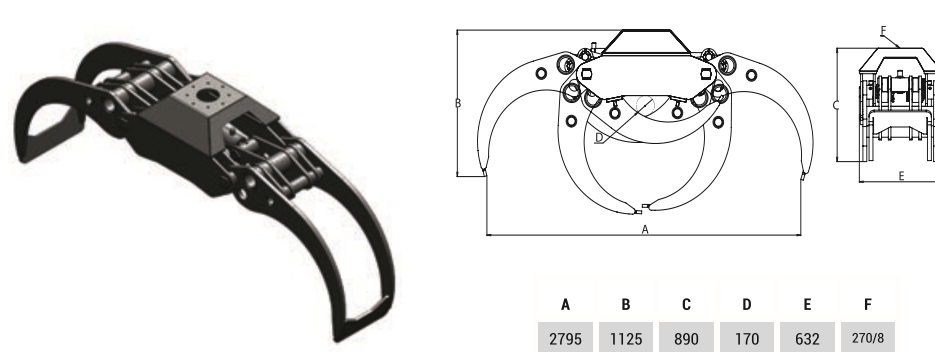
TG 42 S



A	B	C	D	E	F
1831	982	676	100	533	173/6

TG 42 S	Kg	m ²	Bar	l/min	kN	tm	OK	ton	ton	ton
TG 42 S	366	0,50	300	70	21,8	25	OK	20	14	8

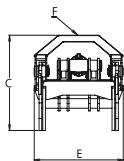
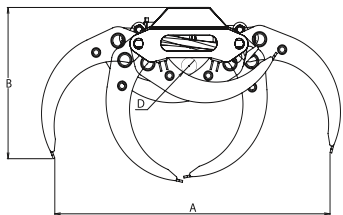
TG 80 S



A	B	C	D	E	F
2795	1125	890	170	632	270/8

TG 80 S	Kg	m ²	Bar	l/min	kN	tm	ton	ton	ton	ton
TG 80 S	737	0,80	300	90	22	30	25	30	10	

TG 120 S



A	B	C	D	E	F
3115	1125	1571	180	1010	270/8



TG 120 S

1500

1,20

300

90

40

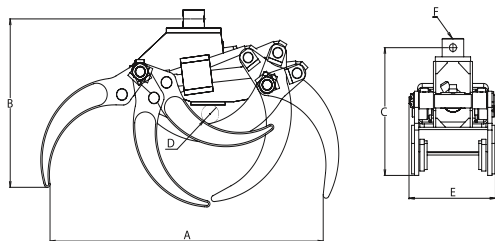
40

40

12

Risgripare
Forest residue grapples
Reissigreifer
Pinces à déchets forestiers
Pinze per residui forestali
Pinzas para residuos forestales

TG 16 SR4

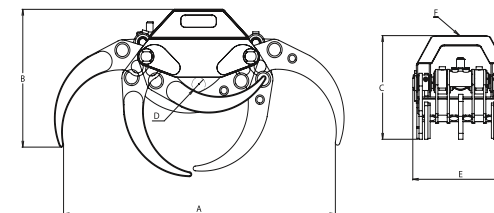


A	B	C	D	E	F
950	550	417	65	301	50/25



TG 16 SR4	Kg	m²	Bar	l/min	kN	tm	ton	ton	ton
	58	0,16	200	40	9	3	3	1	

TG 22 PRO SR5

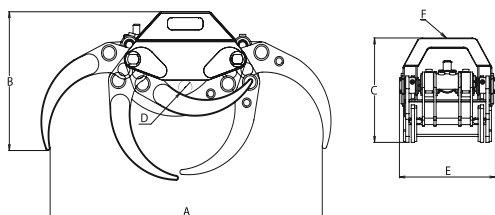


A	B	C	D	E	F
1225	585	440	60	432	173/6



TG 22 PRO SR5	Kg	m²	Bar	l/min	kN	tm	ton	ton	ton
	140	0,20	200	50	11,6	5	8	3	

TG 22 PRO SR4

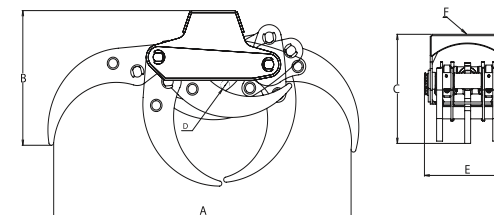


A	B	C	D	E	F
1225	585	440	60	432	173/6



TG 22 PRO SR4	Kg	m²	Bar	l/min	kN	tm	ton	ton	ton
	125	0,20	200	50	11,6	5	8	3	

TG 25 SR3

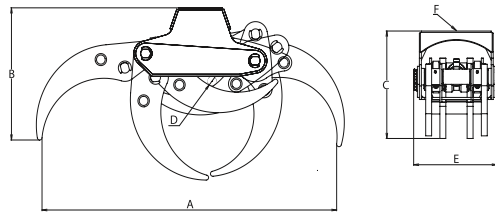


A	B	C	D	E	F
1203	637	516	45	423	173/6



TG 25 SR3	Kg	m²	Bar	l/min	kN	tm	ton	ton	ton
	190	0,20	250	50	12,6	8	10	3	

TG 25 SR4

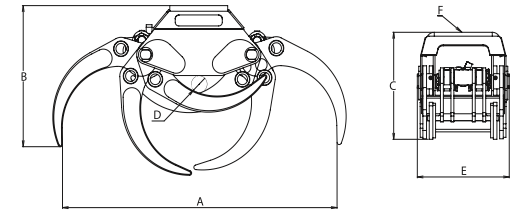


A	B	C	D	E	F
1203	637	516	45	423	173/6



TG 25 SR4	Kg	m²	Bar	l/min	kN	tm	ton	ton	ton
TG 25 SR4	200	0,20	250	50	12,6	8	10	7	3

TG 28 SR4

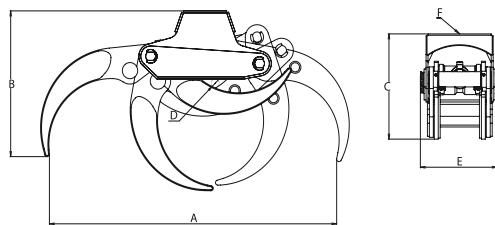


A	B	C	D	E	F
1500	735	565	95	508	173/6



TG 28 SR4	Kg	m²	Bar	l/min	kN	tm	ton	ton	ton
TG 28 SR4	260	0,30	250	60	16,6	15	OK	15	5

TG 25 SR4-W

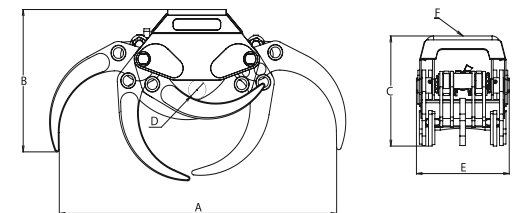


A	B	C	D	E	F
1460	705	510	45	391	173/6



TG 25 SR4-W	Kg	m²	Bar	l/min	kN	tm	ton	ton	ton
TG 25 SR4-W	200	0,25	250	50	12,6	8	10	7	3

TG 28 SR5

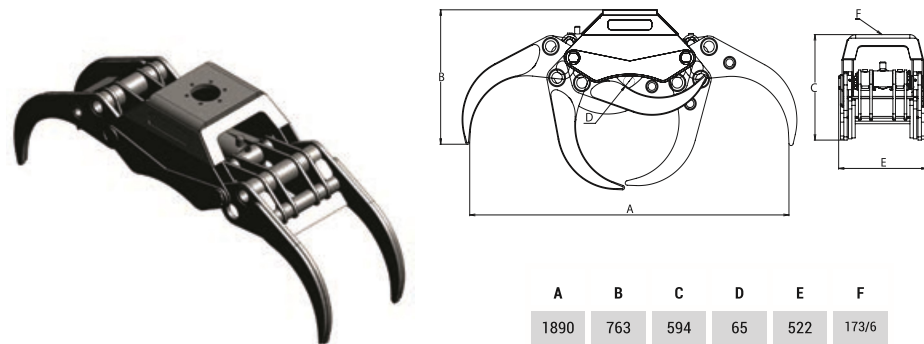


A	B	C	D	E	F
1500	735	565	95	508	173/6



TG 28 SR5	Kg	m²	Bar	l/min	kN	tm	ton	ton	ton
TG 28 SR5	280	0,30	250	60	16,6	15	OK	15	5

TG 35 SR4

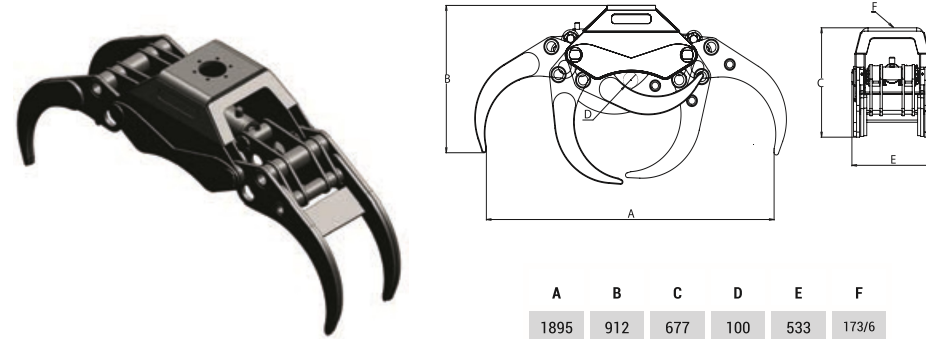


A	B	C	D	E	F
1890	763	594	65	522	173/6



TG 35 SR4	330	0,38	250	60	17,6	15	OK	15	7	
-----------	-----	------	-----	----	------	----	----	----	---	--

TG 42 SR4

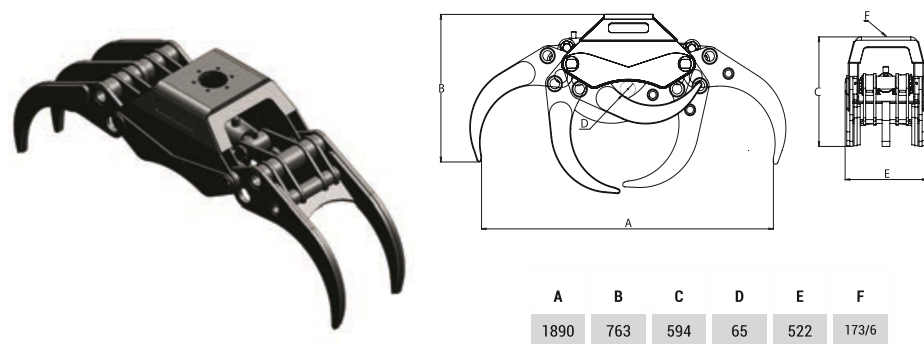


A	B	C	D	E	F
1895	912	677	100	533	173/6



TG 42 SR4	415	0,50	250	70	21,8	25	OK	20	8	
-----------	-----	------	-----	----	------	----	----	----	---	--

TG 35 SR5

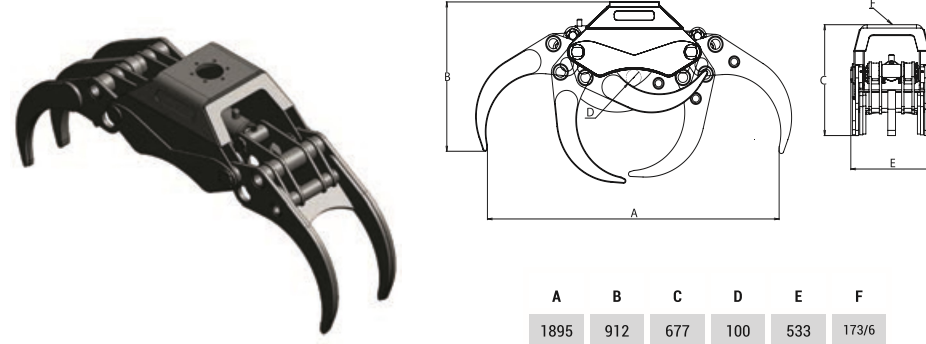


A	B	C	D	E	F
1890	763	594	65	522	173/6



TG 35 SR5	355	0,38	250	60	17,6	15	OK	15	7	
-----------	-----	------	-----	----	------	----	----	----	---	--

TG 42 SR5

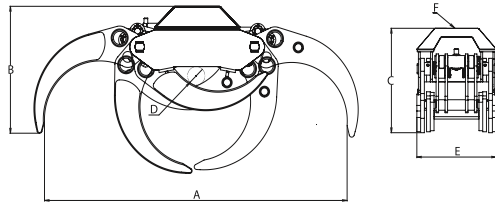


A	B	C	D	E	F
1895	912	677	100	533	173/6



TG 42 SR5	445	0,50	250	70	21,8	25	OK	20	8	
-----------	-----	------	-----	----	------	----	----	----	---	--

TG 55 SR4

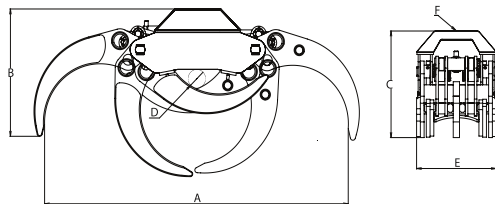


A	B	C	D	E	F
2425	967	796	150	635	270/8



TG 55 SR4	760	0,65	250	90	25	30	30	10		
-----------	-----	------	-----	----	----	----	----	----	--	--

TG 55 SR5



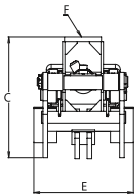
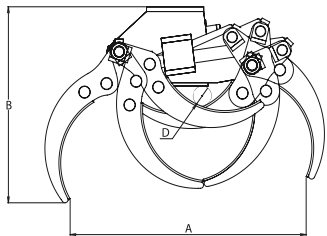
A	B	C	D	E	F
2425	967	796	150	635	270/8



TG 55 SR5	800	0,65	250	90	25	30	30	10		
-----------	-----	------	-----	----	----	----	----	----	--	--

Sten- & recyclinggripare
Stone- and recycling grabs
Stein- und Recyclinggreifer
Pinces à enrochement et de recyclage
Pinze per massi e per riciclaggio
Pinzas para piedras y para reciclaje

TG 16 ST

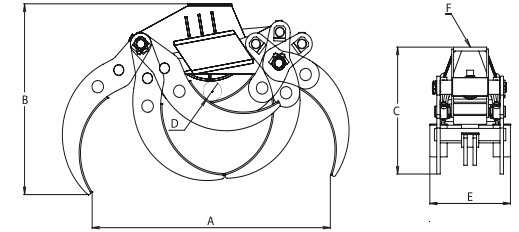


A	B	C	D	E	F
785	620	382	65	330	140x140



TG 16 ST	65	0,16	200	40	9	3	3	2	1	
----------	----	------	-----	----	---	---	---	---	---	--

TG 22 ST

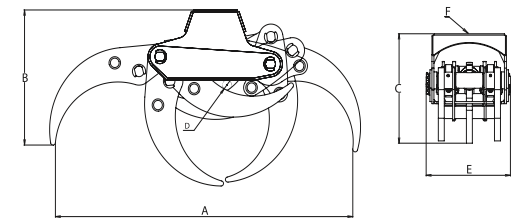


A	B	C	D	E	F
1035	780	518	85	350	173/4



TG 22 ST	125	0,22	200	50	13,5	4	4	3	1,5	
----------	-----	------	-----	----	------	---	---	---	-----	--

TG 25 SR3

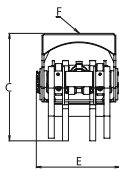
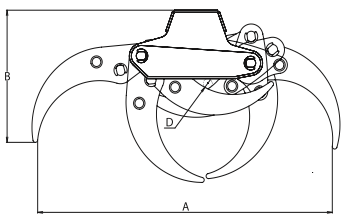


A	B	C	D	E	F
1203	637	516	45	423	173/6



TG 25 SR3	190	0,20	250	50	12,6	8	10	3		
-----------	-----	------	-----	----	------	---	----	---	--	--

TG 25 SR4

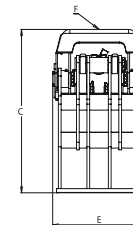
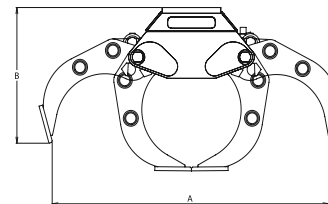
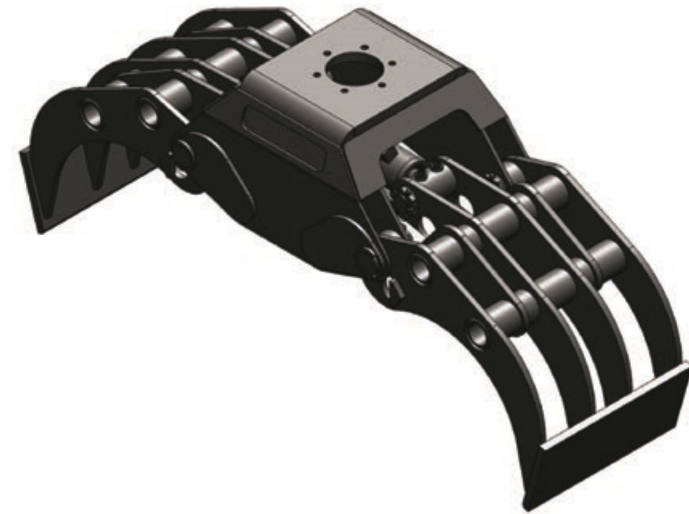


A	B	C	D	E	F
1203	637	516	45	423	173/6



TG 25 SR4	200	0,20	250	50	12,6	8	10	7	3	
-----------	-----	------	-----	----	------	---	----	---	---	--

TG 28 ST

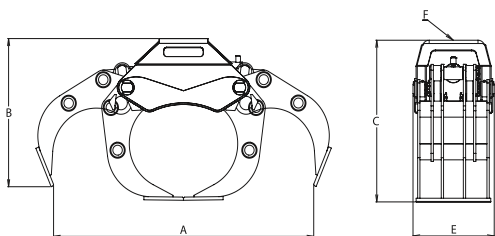


A	B	C	D	E	F
1510	704	846	-	512	173/6



TG 28 ST	304	0,26	300	60	16,2	15	15	10	5	
----------	-----	------	-----	----	------	----	----	----	---	--

TG 42 ST

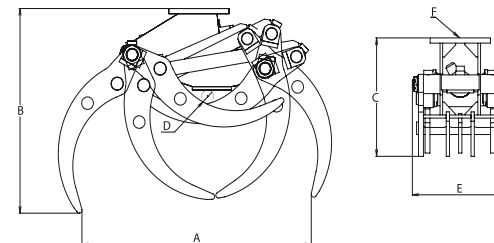


A	B	C	D	E	F
1708	925	1010	-	533	173/6



TG 42 ST	440	0,40	300	90	25	20	20	14	8	
----------	-----	------	-----	----	----	----	----	----	---	--

TG 12 UG/7

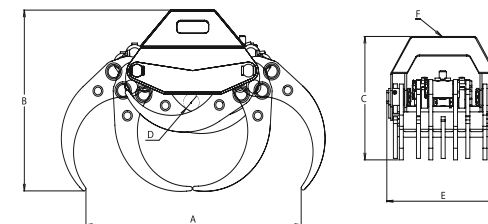


A	B	C	D	E	F
703	590	342	40	287	140x140



TG 12 UG/7	56	0,12	200	30	8	2	2	0,6		
------------	----	------	-----	----	---	---	---	-----	--	--


TG 22 UG/9



A	B	C	D	E	F
1085	853	582	135	568	173/6



TG 22 UG/9	298	0,22	250	60	17	12	10	7	3	
------------	-----	------	-----	----	----	----	----	---	---	--

A man with long hair and a beard, wearing a dark blue t-shirt, is using a power tool to work on a large, black, cylindrical object. The object has several horizontal bands and the word "TIGERGRIP" is printed in large, bold, white letters on its side. The background is a bright, industrial setting with overhead lights.

Strong, tough and long-lasting

No effort is spared to put extra power into our products. Choosing a TIGERGRIP, you have a reliable friend for many years to come, always at your service, always prepared for action.

GX 28-50 - extremely robust universal grab for loading of stones, scrap, stumps and various mixed waste material. Massive claws made from 50 mm Hardox steel

TG 42 S - heavy duty log grapple. The heavily reinforced body makes it ideal also for excavator mounting. Perfect for tiltrotator.



DEFINITELY A BEAST

DS Grab 2 - Strong and wear resistant demolition and sorting grab with low built compact rotator for excavators up to 11 t. Fast and flexible.



TGO 800 - the versatile multipurpose grab for loading of various materials. Thanks to the high gripping force also very well suited for digging. Check valve and bolted cutting edges are standard.



TIGERGRIP is our own brand of grapples, grabs and clamshell buckets designed for a great number of applications. TIGERGRIP is renowned for being extraordinary robust. The rugged construction and the use of high tensile steel makes it perfect for really tough handling.

Thanks to the profound experience of our design department and the use of modern computer simulation, TIGERGRIP's roll-in-roll-out properties and fill-up qualities meet the most demanding requirements. TIGERGRIP – the grab that doesn't break.

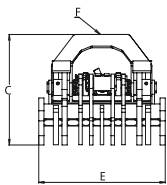
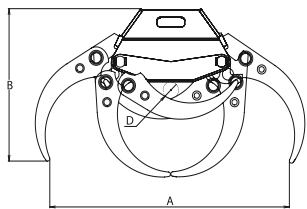
A man with extensive tattoos on his right arm is working on a large, complex industrial machine. He is wearing a dark t-shirt with some text on it. The machine is primarily black and red, with various mechanical components and a large cylindrical part. The background is slightly blurred, showing more of the industrial setting.

About Intermercato

The Swedish family company INTERMERCATO AB was founded by Lotta and Olle Hildebrand in the mid 90's. Initially the company's, the company's focus was on log grapples and rotators for small scale forestry. From the beginning of the 21st century the company has, in spite of repeated financial crisis, shown a steady growth. The focus of activity has shifted from small scale forestry to the production of heavy duty equipment for excavators and lorry cranes. In 2005 Intermercato took an important step into the world of high tech products – the development of the Intelweigh crane scale project. Today world leading in dynamic weighing of hanging load, Intermercato carries on towards new achievements in weighing as well as in grab construction meeting today's demand for more versatile tools.

Intermercato has built up a worldwide distributor network, the exception being France where Intermercato operates via its subsidiary, Intermercato France SAS.

TG 28 UGS/11

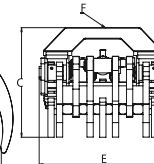
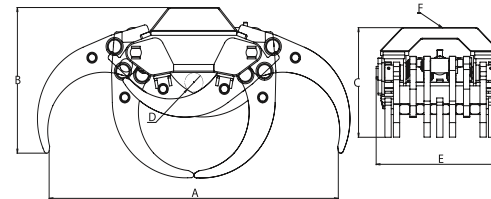
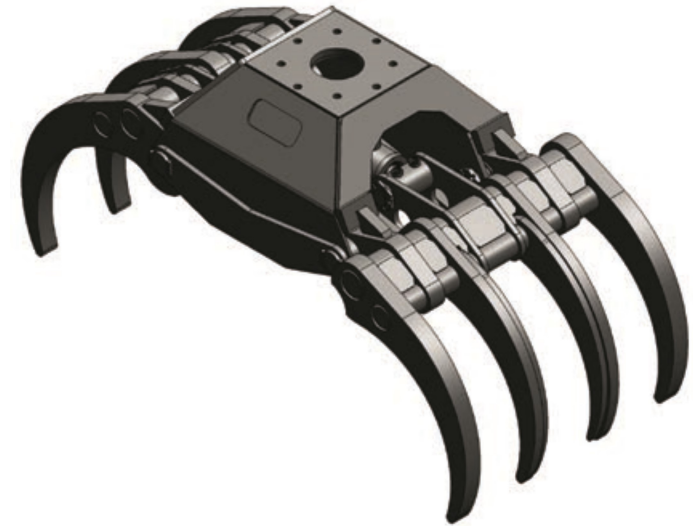


A	B	C	D	E	F
1387	837	607	90	730	270/8



TG 28 UGS/11	460	0,26	300	60	16,6	15	15	10	5	
--------------	-----	------	-----	----	------	----	----	----	---	--

GX 28-50

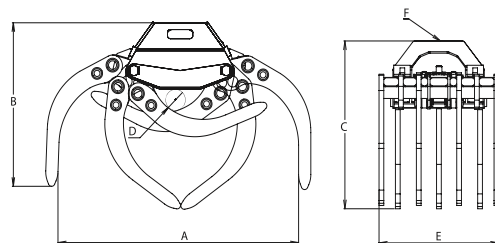
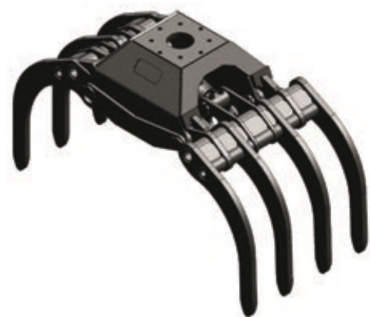


A	B	C	D	E	F
1471	783	622	100	760	270/8



GX 28-50	550	0,28	350	60	20	30	0K	20	14	8
----------	-----	------	-----	----	----	----	----	----	----	---

GX 28-50 L

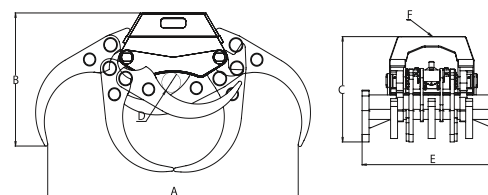
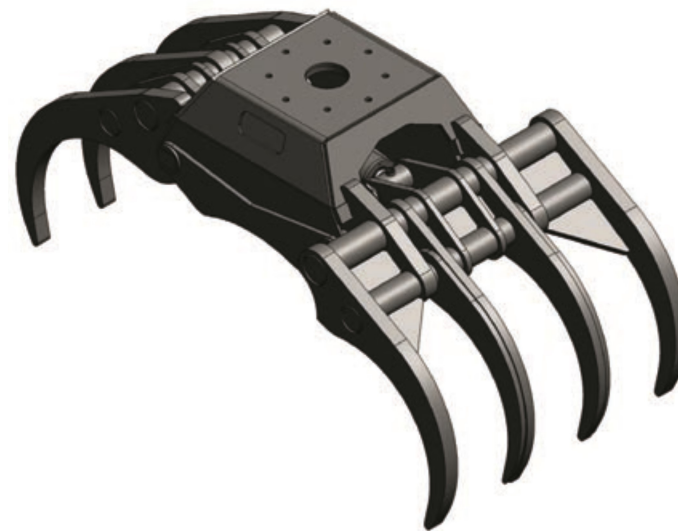


A	B	C	D	E	F
1527	975	1000	125	760	173/6



GX 28-50 L	460	0,30	300	60	18	15	OK	15	14	
------------	-----	------	-----	----	----	----	----	----	----	--

GX 36-50

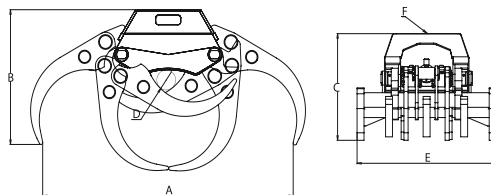


A	B	C	D	E	F
1800	910	720	135	1000	340/8



GX 36-50	860	0,36	350	60	20,5	40	30	24	10	
----------	-----	------	-----	----	------	----	----	----	----	--

GX 28-50 1000

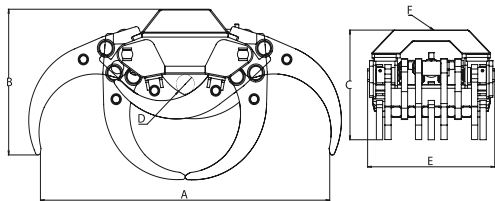


A	B	C	D	E	F
1471	783	622	100	1000	270/8



GX 28-50 1000	700	0,28	350	60	20	30	OK	20	14	8
---------------	-----	------	-----	----	----	----	----	----	----	---

GX 55-50



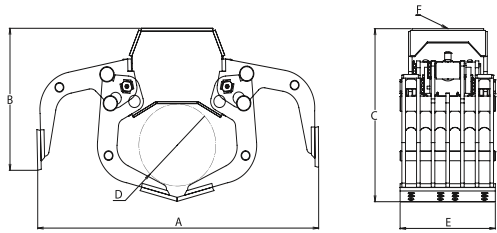
A	B	C	D	E	F
2295	1100	828	145	1010	340/8



GX 55-50	1585	0,50	350	70	50	40	30	12		
----------	------	------	-----	----	----	----	----	----	--	--

Rivningsgripare
Demolition- and sorting grabs
Abbruch- und Sortiergreifer
Pinces de démolition et de triage
Pinze demolitrici e selezionatrici
Pinzas de demolición y clasificación

TG 15-30 DG

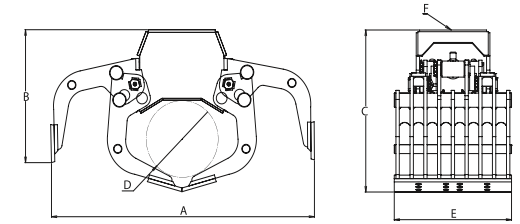
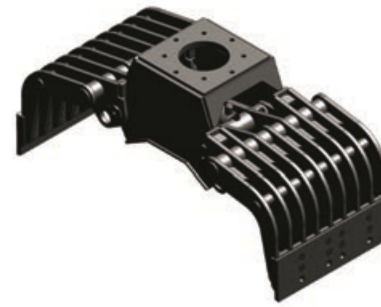


	TG 15 DG	TG 18 DG	TG 20 DG	TG 25 DG	TG 30 DG
A	1154	1412	1556	1936	2347
B	560	704	746	877	1057
C	691	828	908	1095	1297
D	315	375	430	530	650
E	390	476	532	800	1000
F	224/8	270/8	270/8	-	-



TG 15 DG	190	0,14	250	60	17,5	3-6				
TG 18 DG	358	0,18	250	60	18,5	5-8				
TG 20 DG	495	0,20	320	60	33	7-11				
TG 25 DG	975	0,35	320	90	57	15-22				
TG 30 DG	1465	0,50	320	90	69	20-30				

TG 20 DGW

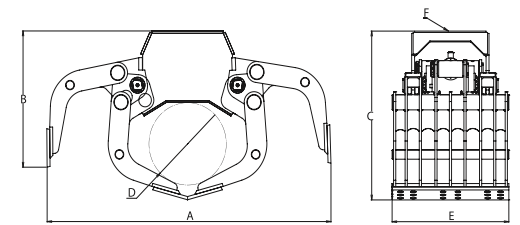
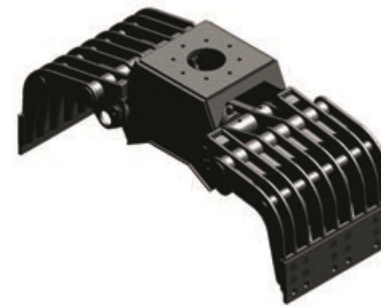


A	B	C	D	E	F
1556	737	897	430	700	340/8



TG 20 DGW	650	0,20	320	60	33	8-13				
-----------	-----	------	-----	----	----	------	--	--	--	--

TG 25 DGL

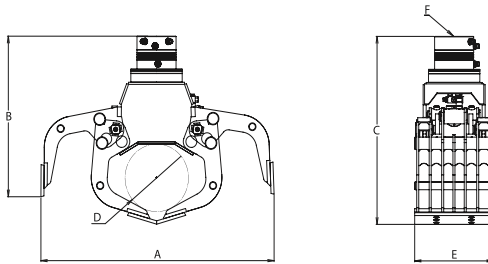


A	B	C	D	E	F
1936	877	1095	530	800	420/8



TG 25 DGL	850	0,35	320	90	57	12-18				
-----------	-----	------	-----	----	----	-------	--	--	--	--

DS-GRAB 1

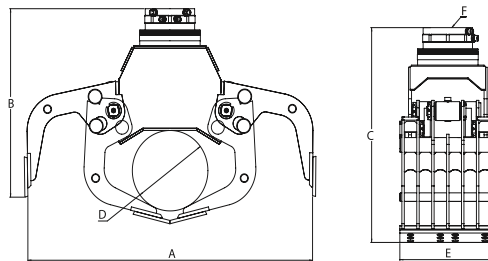


A	B	C	D	E	F
1154	780	906	315	390	-



DS-GRAB 1	Kg	m²	Bar	l/min	kN	ton				
	250	0,14	250	30/20	17,5	3-6				

DS-GRAB 1.5

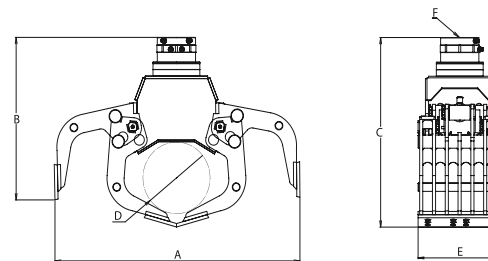
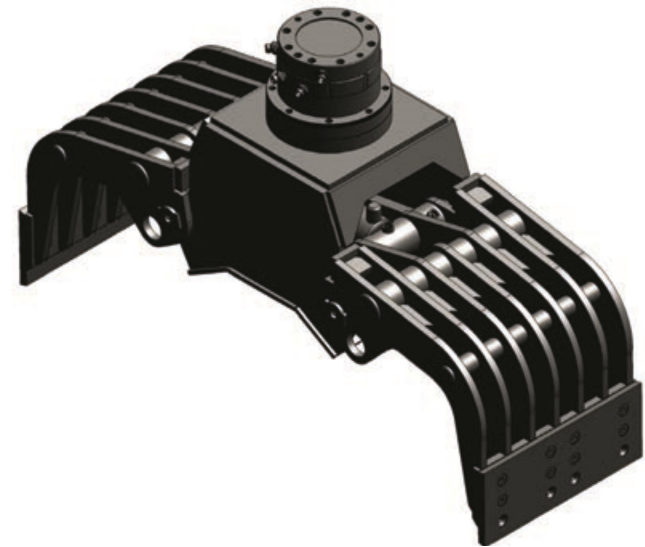


A	B	C	D	E	F
1412	889	1013	375	476	-



DS-GRAB 1.5	Kg	m²	Bar	l/min	kN	ton				
	418	0,18	250	40/25	18,5	5-8				

DS-GRAB 2

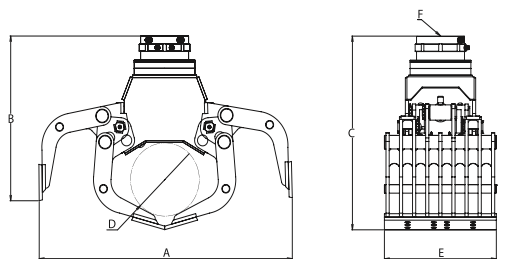
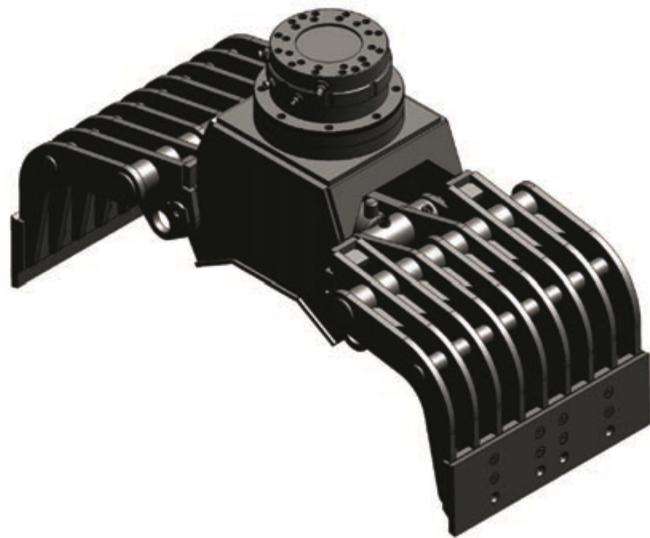


A	B	C	D	E	F
1556	964	1125	430	532	-



DS-GRAB 2	Kg	m²	Bar	l/min	kN	ton				
	583	0,20	320	50/25	33	7-11				

DS-GRAB 3.5

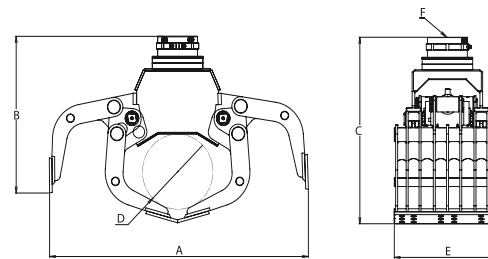
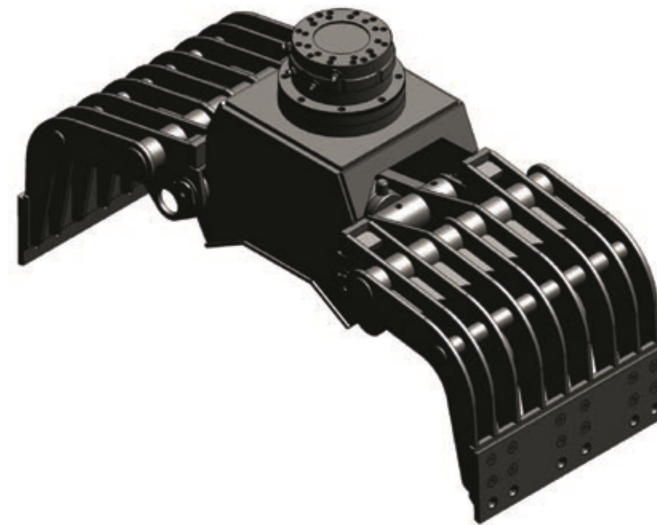


A	B	C	D	E	F
1556	968	1125	430	700	-



DS-GRAB 3.5	785	0,20	320	50/25	33	8-13				
-------------	-----	------	-----	-------	----	------	--	--	--	--

DS-GRAB 4.5

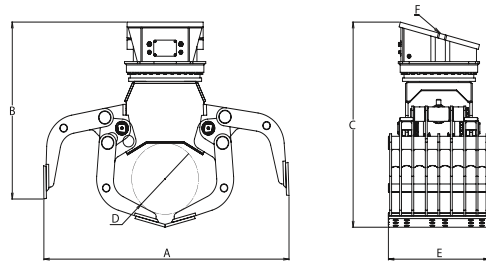


A	B	C	D	E	F
1936	1173	1375	530	800	-



DS-GRAB 4.5	1001	0,35	320	60/25	57	12-18				
-------------	------	------	-----	-------	----	-------	--	--	--	--

DS-GRAB 5

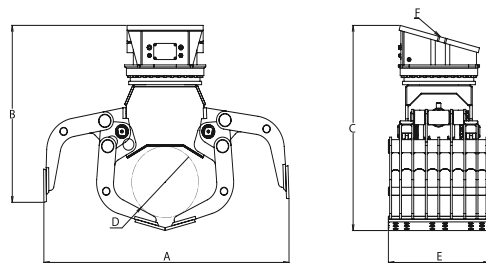


A	B	C	D	E	F
1936	1283	1485	530	800	-



DS-GRAB 5	1225	0,35	350	60/30	57	18-22				
-----------	------	------	-----	-------	----	-------	--	--	--	--

DS-GRAB 6



A	B	C	D	E	F
2347	1447	1687	650	1000	-



DS-GRAB 6	1770	0,50	350	90/30	69	20-25				
-----------	------	------	-----	-------	----	-------	--	--	--	--

Gripskopor

Clamshell buckets

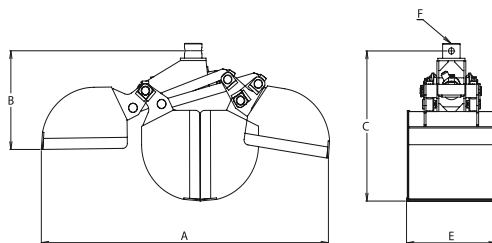
Zweischalengreifer

Bennes preneuses

Benne per scavo e carico

Cucharas para la excavación y la carga

TGS 12-40

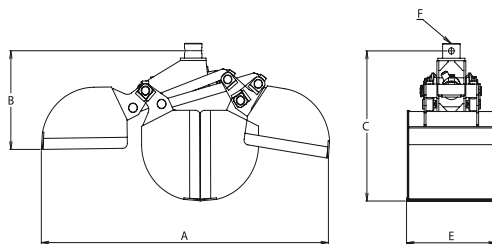


A	B	C	D	E	F
1232	403	613	-	385	40/20



TGS 12-40	Kg	Lt	Bar	l/min	kN	tm	ton			
	60	50	160	30	8	2	0,2			

TGS 12-50

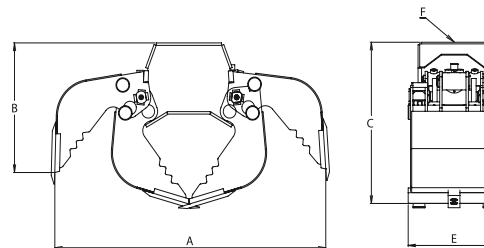
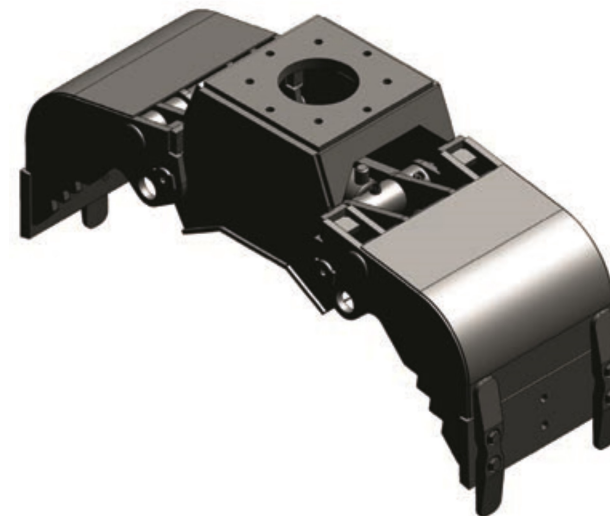


A	B	C	D	E	F
1232	413	623	-	485	50/25



TGS 12-50	Kg	Lt	Bar	l/min	kN	tm	ton			
	65	60	160	30	8	2	0,2			

TG 15-20 MP

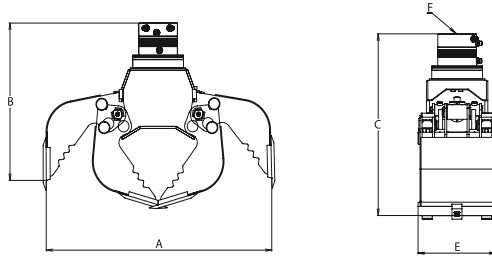
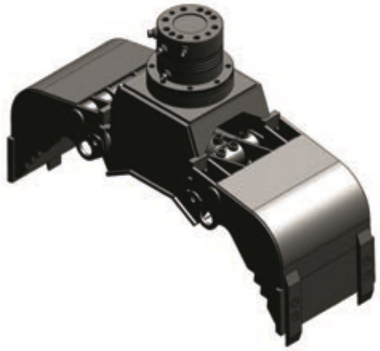


	TG 15 MP	TG 18 MP	TG 20 MP
A	1160	1418	1560
B	554	773	725
C	682	821	890
D	-	-	-
E	392	476	532
F	224/8	270/8	270/8



TG 15 MP	Kg	m³	Bar	l/min	kN	tm	ton			
	170	0,14	250	60	17,5	3-6				
TG 18 MP	295	0,18	250	60	18,5	5-8				
TG 20 MP	475	0,20	350	60	33	7-11				

U-GRAB 1

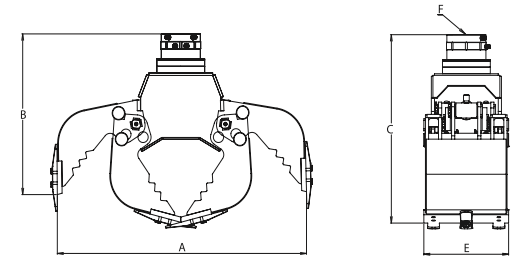
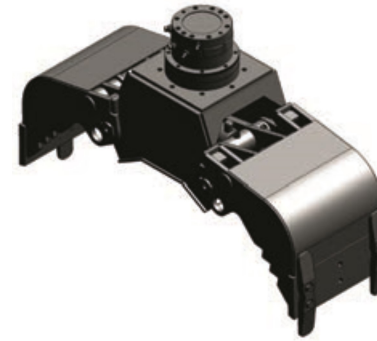


A	B	C	D	E	F
1160	769	897	-	392	-



U-GRAB 1	Kg	m²	Bar	l/min	kN	ton				
	235	0,14	250	60	17,5	3-6				

U-GRAB 2

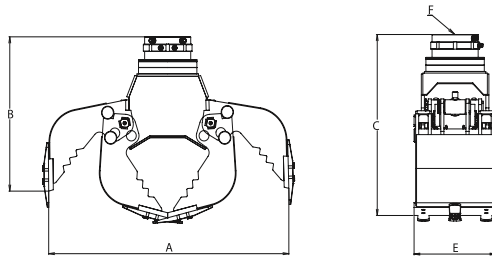
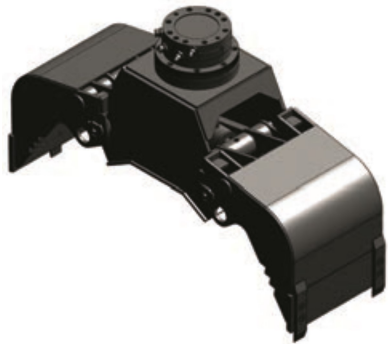


A	B	C	D	E	F
1560	953	1176	-	532	-



U-GRAB 2	Kg	m²	Bar	l/min	kN	ton				
	565	0,20	350	60	33	7-11				

U-GRAB 1.5

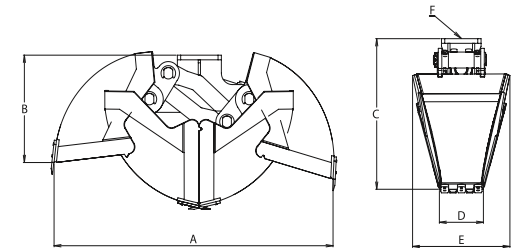


A	B	C	D	E	F
1418	926	1014	-	476	-



U-GRAB 1.5	Kg	m²	Bar	l/min	kN	ton				
	363	0,18	250	60	18,5	5-8				

TMC 40D

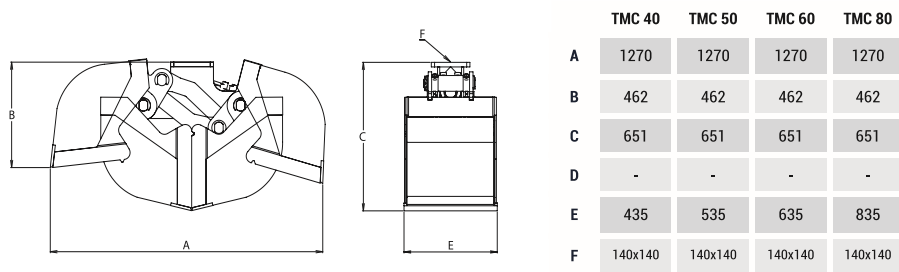
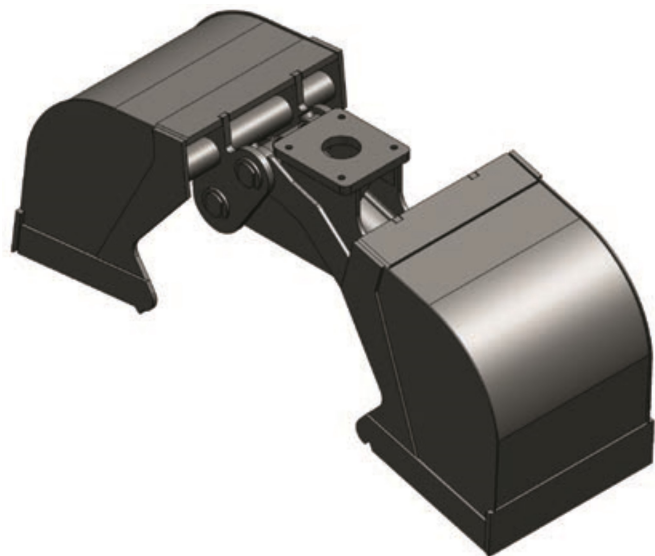


A	B	C	D	E	F
1240	462	651	200	442	140x140



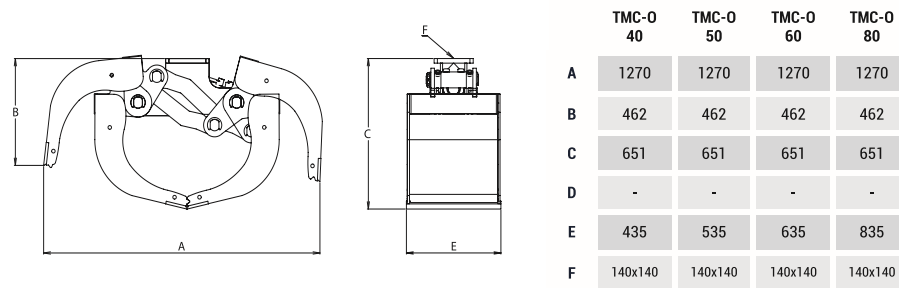
TMC 40 D	Kg	Lt	Bar	l/min	kN	ton				
	197	90	200	40	12	8	1			

TMC



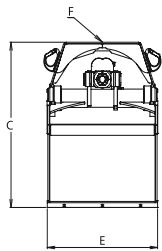
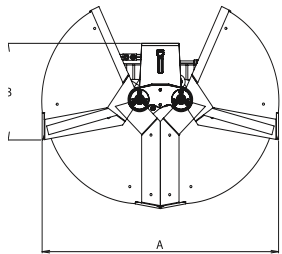
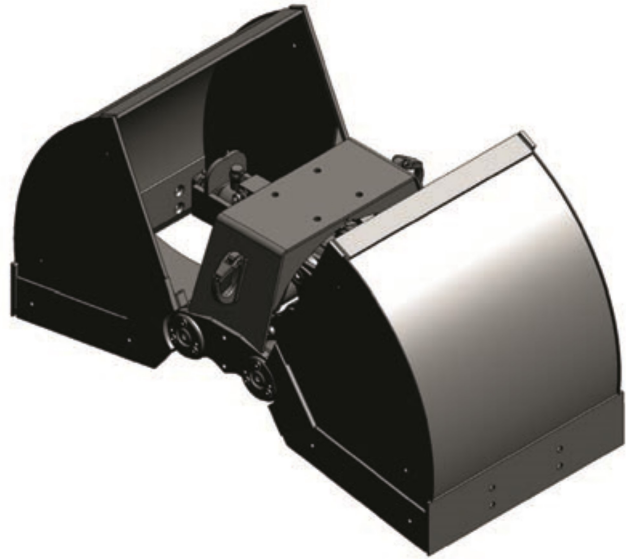
TMC 40	142	125	200	40	12	8	1			
TMC 50	152	150	200	40	12	8	1			
TMC 60	162	175	200	40	12	8	1			
TMC 80	202	200	200	40	12	8	1			

TMC-O



TMC-O 40	127	125	200	40	12	8	1			
TMC-O 50	137	150	200	40	12	8	1			
TMC-O 60	147	175	200	40	12	8	1			
TMC-O 80	187	200	200	40	12	8	1			

TCB L

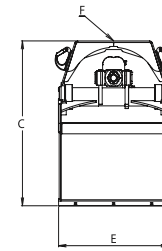
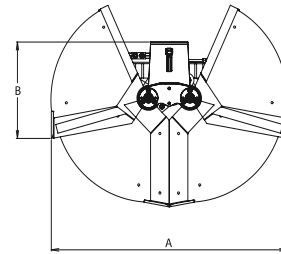


	TCB 420L	TCB 500L	TCB 650L	TCB 800L
A	1395	1395	1395	1395
B	535	535	535	535
C	915	915	915	915
D	-	-	-	-
E	420	500	650	800
F	140x140	140x140	140x140	140x140



	Kg	Lt	Bar	l/min	kN	tm	ton			
TCB 420 L	220	200	250	50	21	8	2			
TCB 500 L	240	250	250	50	21	10	2			
TCB 650 L	260	350	250	50	21	12	2			
TCB 800 L	295	450	250	50	21	15	2			

TCB

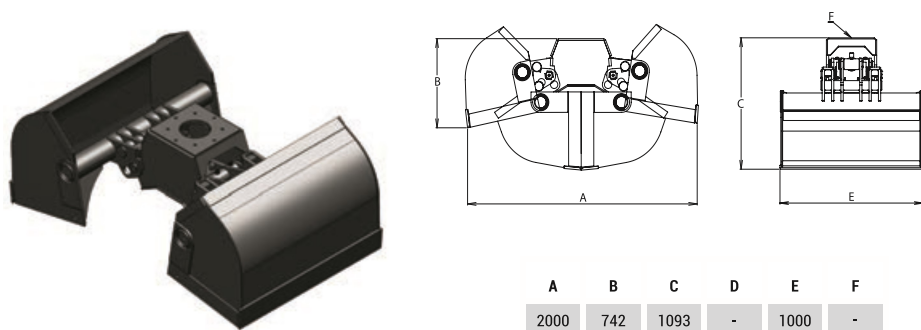


	TCB 500	TCB 650	TCB 800	TCB 1000
A	1395	1395	1395	1395
B	535	535	535	535
C	915	915	915	915
D	-	-	-	-
E	500	650	800	1000
F	140x140	140x140	140x140	140x140



	Kg	Lt	Bar	l/min	kN	tm	ton			
TCB 500	320	250	300	60	28	10	3			
TCB 650	344	350	300	60	28	12	3			
TCB 800	368	450	300	60	28	15	3			
TCB 1000	398	550	300	60	28	15	3			

TCB 1000 HD

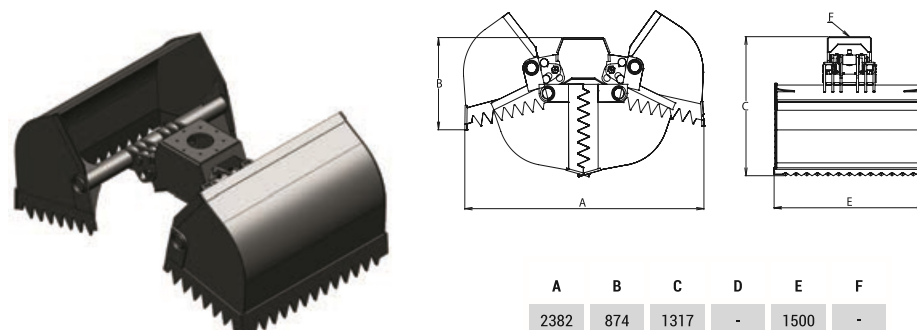


A	B	C	D	E	F
2000	742	1093	-	1000	-



TCB 1000 HD	520	560	300	60	16	20	30	20	3		
-------------	-----	-----	-----	----	----	----	----	----	---	--	--

SUPERCHIP

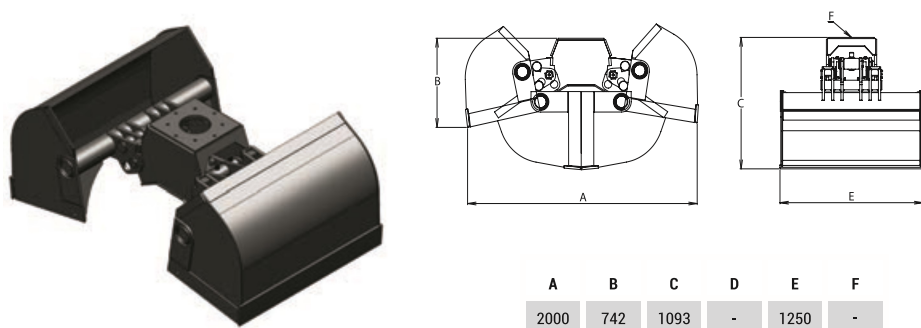


A	B	C	D	E	F
2382	874	1317	-	1500	-



SUPERCHIP	710	1500	300	60	16	30	20	3		
-----------	-----	------	-----	----	----	----	----	---	--	--

TCB 1250 HD

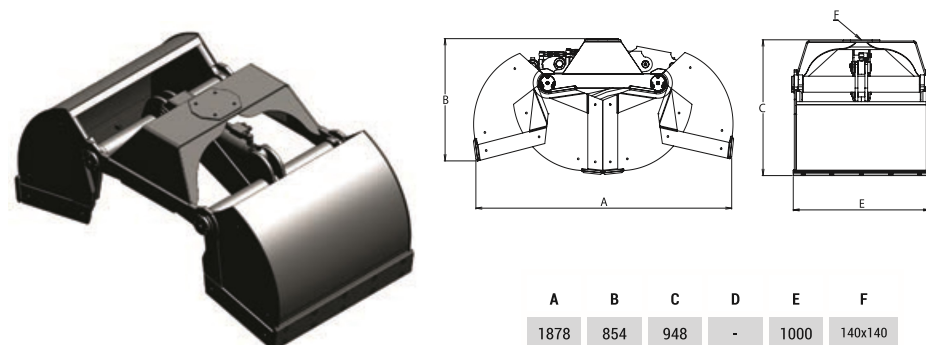


A	B	C	D	E	F
2000	742	1093	-	1250	-



TCB 1250 HD	560	700	300	60	16	20	30	20	3		
-------------	-----	-----	-----	----	----	----	----	----	---	--	--

TVG 1000

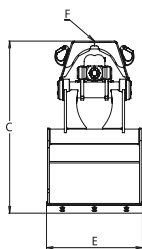
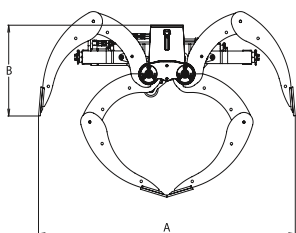


A	B	C	D	E	F
1878	854	948	-	1000	140x140



TVG 1000	520	500	250	60	28	25	3				
----------	-----	-----	-----	----	----	----	---	--	--	--	--

TGO



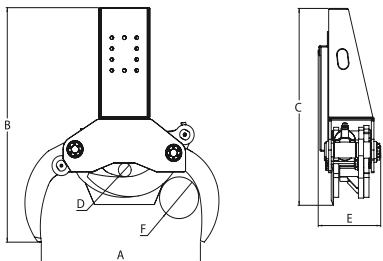
	TGO 500	TGO 650	TGO 800	TGO 900	TGO 1000	TGO 1200
A	1740	1740	1740	1740	1740	1740
B	578	578	578	578	578	578
C	1095	1095	1095	1095	1095	1095
D	-	-	-	-	-	-
E	500	650	800	900	1000	1200
F	140x140	140x140	140x140	140x140	140x140	140x140



	Kg	Lt	Bar	l/min	kN	tm	ton			
TGO 500	315	200	300	60	25	10	3			
TGO 650	340	300	300	60	25	12	3			
TGO 800	370	400	300	60	25	15	3			
TGO 900	390	450	300	60	25	15	3			
TGO 1000	405	500	300	60	25	15	3			
TGO 1200	440	600	300	60	25	15	3			

Övriga gripare
Other grabs
Andere Greifer
Autres grappins
Altre pinze
Otras pinzas

TIGERCUT 200 E

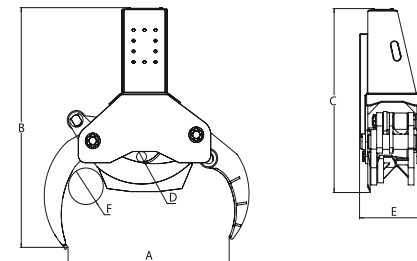


A	B	C	D	E	F
934	1295	1087	75	367	230



TIGERCUT 200 E	235	250	50	53	8				
----------------	-----	-----	----	----	---	--	--	--	--

TIGERCUT 300 E

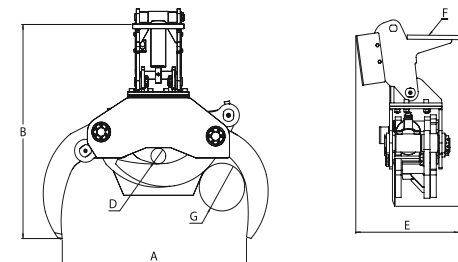


A	B	C	D	E	F
1393	1971	1513	85	584	300



TIGERCUT 300 E	820	300	70-100	80	15				
----------------	-----	-----	--------	----	----	--	--	--	--

TIGERCUT 200 C

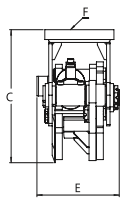
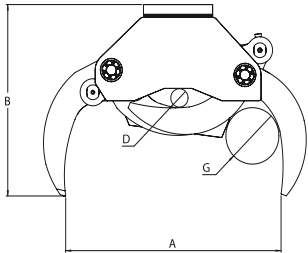


A	B	C	D	E	F	G
934	1032	823	75	521	173/6	230



TIGERCUT 200 C	225	250	50	53					
----------------	-----	-----	----	----	--	--	--	--	--

TIGERCUT 200 ER



A	B	C	D	E	F	G
934	780	542	75	357	270/8	230



TIGERCUT 200 ER

200

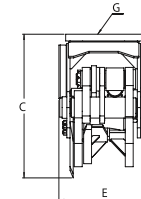
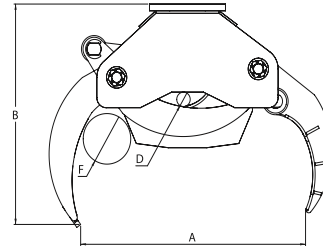
250

50

53

8

TIGERCUT 300 ER



A	B	C	D	E	F	G
1393	1308	853	85	584	300	420/8



TIGERCUT 300 ER

770

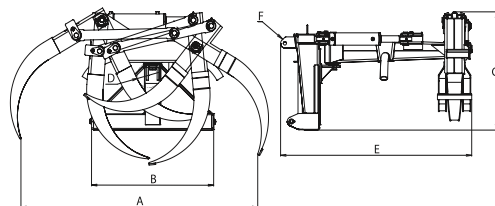
300

70-100

80

12-20

TIGERSKID

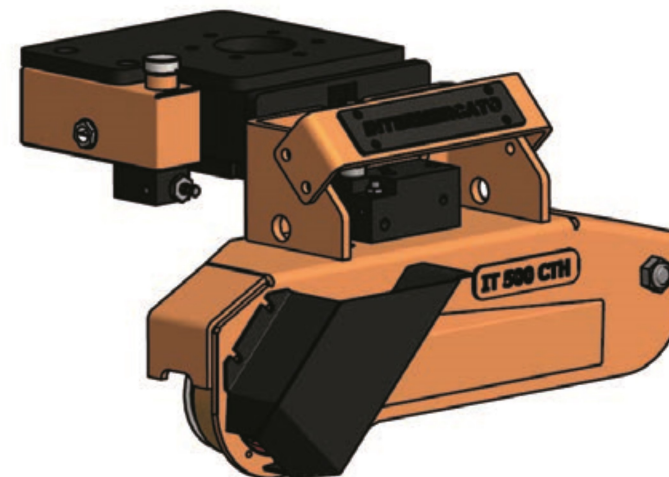


A	B	C	D	E	F
1932	997	905	200	1560	Ø25.4/2-28



TIGERSKID	320	0,33	200	30	10	90	+/-30°		
-----------	-----	------	-----	----	----	----	--------	--	--

TIGERSAW



KEY FEATURES

- Parker motor
- 2,0 mm saw bar
- .404" chain
- Automatic chain lubrication
- Mechanical rapid chain tensioning
- Independent chain oil tank
- Heavy duty grapple
- Option: Rigid mount rotator
- Option: Tilt mechanism
- Tiger saw cassette can be mounted on any Tiger grapple on demand

MAX CUTTING DIAM

Tigersaw 400	400
Tigersaw 500	500
Tigersaw 700	700