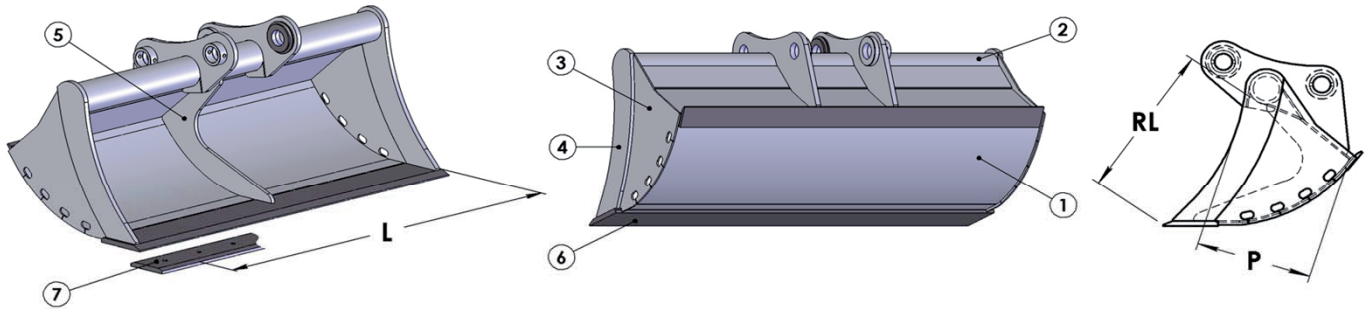


BENNA PULIZIA FOSSI MODELLO A ZAPPA per escavatori
DITCH CLEANING BUCKET SQUARED PROFILE for excavators
GODET CURAGE PROFIL A FOND PLAT pour pelles
CAZO DE LIMPIEZA MODELO "A ZAPPA" para excavadoras
GRABENRAUMLÖFFEL SCHABEPROFIL für Bagger

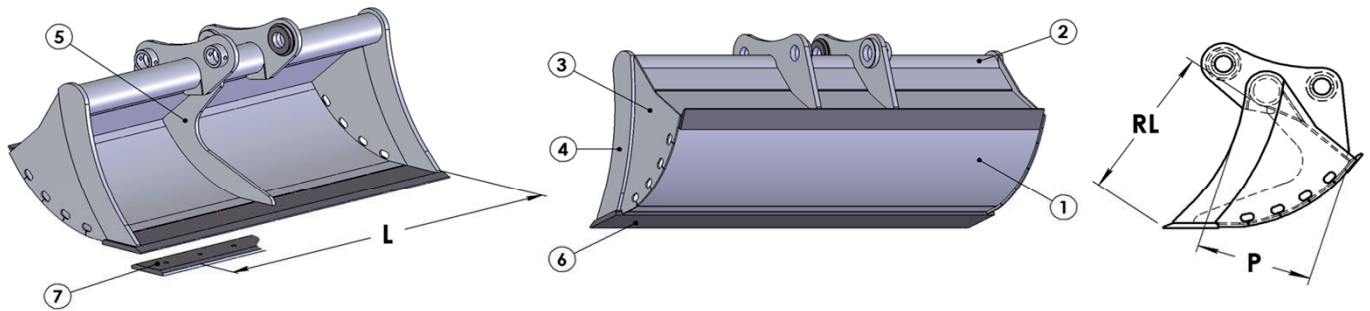


Classe Class	Codice Code	L mm.	Cap. SAE Lt.	Peso Kg. Weight	RL mm.	P mm.	Listino € Price List	Sottolama € Bolt on blade
T.48 - T.50 7,1 - 12,5 ton	T48PFZ140	1400	290	241	530	381	/	/
	T48PFZ150	1500	313	255			/	/
	T48PFZ160	1600	336	268			/	/
	T48PFZ180	1800	380	295			/	/
	T48PFZ200	2000	426	322			/	/
		1	2	3	4	5	6	7 Optional
Materiale	Material	S355	S355	S355	S355	S355	HB 400	HB 400
Spessore	Thickness	8 mm	114.3 x 12.5 mm	6 mm	12 mm	15 mm	200 x 20 mm	150 x 20 mm

Classe Class	Codice Code	L mm.	Cap. SAE Lt.	Peso Kg. Weight	RL mm.	P mm.	Listino € Price List	Sottolama € Bolt on blade
T.55 - T.60 12,5 - 19 ton	T55PFZ150	1500	363	330	569	427	/	/
	T55PFZ180	1800	442	377			/	/
	T55PFZ200	2000	495	409			/	/
	T55PFZ220	2200	548	440			/	/
		1	2	3	4	5	6	7 Optional
Materiale	Material	S355	S355	S355	S355	S355	HB 400	HB 400
Spessore	Thickness	8 mm	127 x 14.2 mm	6 mm	20 mm	15 mm	200 x 25 mm	200 x 20 mm

Classe Class	Codice Code	L mm.	Cap. SAE Lt.	Peso Kg. Weight	RL mm.	P mm.	Listino € Price List	Sottolama € Bolt on blade
T.65 19 - 23 ton	T65PFZ180	1800	546	448	648	460	/	/
	T65PFZ200	2000	612	482			/	/
	T65PFZ220	2200	677	517			/	/
	T65PFZ240	2400	743	550			/	/
	T65PFZ250	2500	775	567			/	/
		1	2	3	4	5	6	7 Optional
Materiale	Material	S355	S355	S355	S355	S355	HB 400	HB 400
Spessore	Thickness	8 mm	127 x 14.2 mm	8 mm	20 mm	20 mm	250 x 25 mm	200 x 20 mm

BENNA PULIZIA FOSSI MODELLO A ZAPPA per escavatori
DITCH CLEANING BUCKET SQUARED PROFILE for excavators
GODET CURAGE PROFIL A FOND PLAT pour pelles
CAZO DE LIMPIEZA MODELO "A ZAPPA" para excavadoras
GRABENRAUMLÖFFEL SCHABEPROFIL für Bagger



Classe Class	Codice Code	L mm.	Cap. SAE Lt.	Peso Kg. Weight	RL mm.	P mm.	Listino € Price List	Sottolama € Bolt on blade
T.66 23 - 26 ton	T66PFZ180	1800	717	513	747	511	/	/
	T66PFZ200	2000	805	552			/	/
	T66PFZ220	2200	892	592			/	/
	T66PFZ240	2400	980	631			/	/
	T66PFZ250	2500	1023	651			/	/
		1	2	3	4	5	6	7 Optional
Materiale	Material	S355	S355	S355	S355	S355	HB 400	HB 400
Spessore	Thickness	8 mm	152.4 x 16 mm	8 mm	25 mm	20 mm	250 x 25 mm	200 x 20 mm

Classe Class	Codice Code	L mm.	Cap. SAE Lt.	Peso Kg. Weight	RL mm.	P mm.	Listino € Price List	Sottolama € Bolt on blade
T.68 T.69 - T.70 26 - 43 ton	T68PFZ180	1800	937	731	861	593	/	/
	T68PFZ200	2000	1052	787			/	/
	T68PFZ220	2200	1168	843			/	/
	T68PFZ240	2400	1283	899			/	/
	T68PFZ250	2500	1340	926			/	/
		1	2	3	4	5	6	7 Optional
Materiale	Material	S355	S355	S355	S355	S355	HB 400	HB 400
Spessore	Thickness	10 mm	177.8 x 20 mm	10 mm	30 mm	25 mm	300 x 30 mm	250 x 25 mm