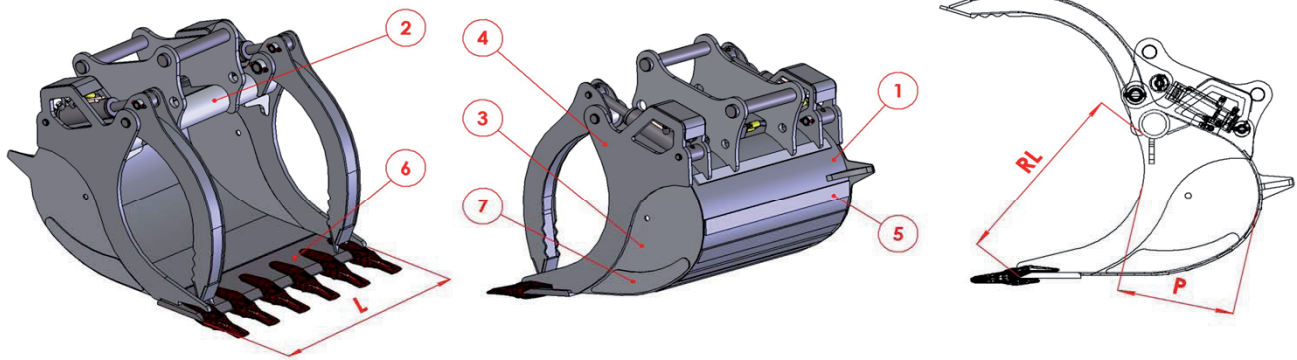


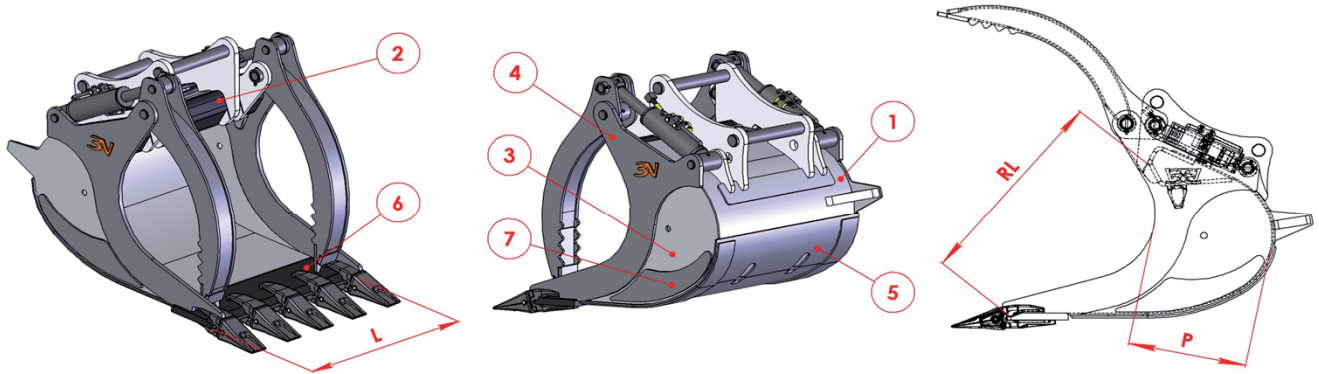
BENNA ALTO ADIGE con grifo per escavatori
ALTO ADIGE STONE BUCKET with clamps for excavators
GODET BLOCK ALTO ADIGE a' griffe pour pelles
CAZO "ALTO ADIGE" con sujecion de carga para excavadoras
LÖFFEL SUD TIROL "ALTO ADIGE" mit Greiferhaken für Bagger



Classe Class	Codice Code	L mm.	Cap. SAE Lt.	Denti n° Teeth	Peso Kg. Weight	RL mm.	P mm.	Tipologia Denti - Teeth Type	
T.45 5,3 - 7,0 ton	T45AG0800	800	253	4	305	725	480	C 03	Esco U20 S
	T45AG0900	900	291	5	343			C 03	Esco U20 S
	T45AG0100	1000	330	5	382			C 03	Esco U20 S
		1	2	3	4	5	6	7	8
Materiale	Material	Hardox 400	S355	S355	Hardox 400	Hardox 400	EN 250	S355	/
Spessore	Thickness	5 mm	121 x 14 mm	6 mm	20 mm	60 x 8 mm	200 x 25 mm	6 mm	/

Classe Class	Codice Code	L mm.	Cap. SAE Lt.	Denti n° Teeth	Peso Kg. Weight	RL mm.	P mm.	Tipologia Denti - Teeth Type	
T.48 - T.50 7,1 - 12,5 ton	T48AG0100	1000	479	5	442	810	483	C 03	Esco U20 S
	T48AG0110	1100	546	5	467			C 03	Esco U20 S
	T48AG0120	1200	614	6	498			C 03	Esco U20 S
		1	2	3	4	5	6	7	8
Materiale	Material	Hardox 400	S355	S355	Hardox 400	Hardox 400	EN 250	S355	/
Spessore	Thickness	5 mm	127 x 14 mm	6 mm	20 mm	70 x 8 mm	250 x 25 mm	6 mm	/

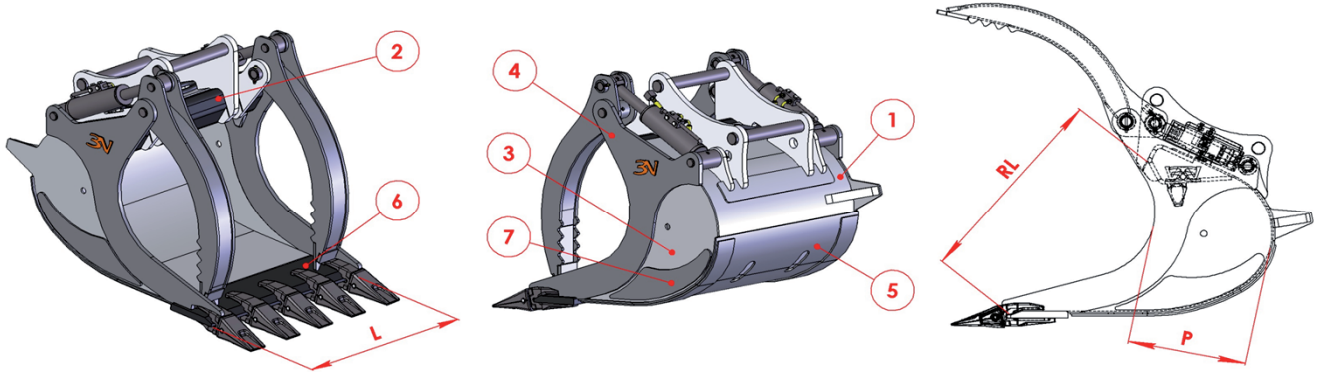
BENNA ALTO ADIGE con grifo per escavatori
ALTO ADIGE STONE BUCKET with clamps for excavators
GODET BLOCK ALTO ADIGE a' griffe pour pelles
CAZO "ALTO ADIGE" con sujecion de carga para excavadoras
LÖFFEL SUD TIROL "ALTO ADIGE" mit Greiferhaken für Bagger



Classe Class	Codice Code	L mm.	Cap. SAE Lt.	Denti n° Teeth	Peso Kg. Weight	RL mm.	P mm.	Tipologia Denti - Teeth Type	
T.55 - T.60 12,5 - 19 ton	T55AG0100	1000	615	5	830	1000	433	CAT J 300	Esco U25 S
	T55AG0110	1100	690	5	865			CAT J 300	Esco U25 S
	T55AG0120	1200	767	5	903			CAT J 300	Esco U25 S
		1	2	3	4	5	6	7	8
Materiale	Material	S355	S355	S355	Hardox 400	Hardox 400	HB 400	Hardox 400	/
Spessore	Thickness	10 mm	18 mm	10 mm	20 mm	8 mm	270 x 32 mm	10 mm	/

Classe Class	Codice Code	L mm.	Cap. SAE Lt.	Denti n° Teeth	Peso Kg. Weight	RL mm.	P mm.	Tipologia Denti - Teeth Type	
T.65 - T.66 19 - 26 ton	T65AG0100	1000	890	4	1135	1125	610	CAT J 400	Esco U35 S
	T65AG0110	1100	1005	5	1174			CAT J 400	Esco U35 S
	T65AG0120	1200	1115	5	1227			CAT J 400	Esco U35 S
		1	2	3	4	5	6	7	8
Materiale	Material	S355	S355	S355	Hardox 400	Hardox 400	HB 400	Hardox 400	/
Spessore	Thickness	12 mm	20 mm	12 mm	25 mm	10 mm	300 x 40 mm	12 mm	/

BENNA ALTO ADIGE con grifo per escavatori
ALTO ADIGE STONE BUCKET with clamps for excavators
GODET BLOCK ALTO ADIGE a' griffe pour pelles
CAZO "ALTO ADIGE" con sujecion de carga para excavadoras
LÖFFEL SUD TIROL "ALTO ADIGE" mit Greiferhaken für Bagger



Classe Class	Codice Code	L mm.	Cap. SAE Lt.	Denti n° Teeth	Peso Kg. Weight	RL mm.	P mm.	Tipologia Denti - Teeth Type	
T.68 26 - 31 ton	T68AG0130	1300	1535	5	1854	1298	660	CAT J 460	Esco U40 S
	T68AG0140	1400	1680	5	1912			CAT J 460	Esco U40 S
	T68AG0150	1500	1825	5	1976			CAT J 460	Esco U40 S
		1	2	3	4	5	6	7	8
Materiale	Material	S355	S355	S355	Hardox 400	Hardox 400	Hardox 400	Hardox 400	/
Spessore	Thickness	12 mm	20 mm	12 mm	35 mm	10 mm	400 x 50 mm	15 mm	/

Classe Class	Codice Code	L mm.	Cap. SAE Lt.	Denti n° Teeth	Peso Kg. Weight	RL mm.	P mm.	Tipologia Denti - Teeth Type	
T.69 - T.70 31 - 43 ton	T69AG0130	1300	1778	5	2208	1400	749	CAT J 460	Esco U45 S
	T69AG0140	1400	1947	5	2271			CAT J 460	Esco U45 S
	T69AG0150	1500	2116	5	2343			CAT J 460	Esco U45 S
		1	2	3	4	5	6	7	8
Materiale	Material	S355	S355	S355	Hardox 400	Hardox 400	Hardox 400	Hardox 400	/
Spessore	Thickness	12 mm	20 mm	12 mm	35 mm	12 mm	400 x 50 mm	15 mm	/