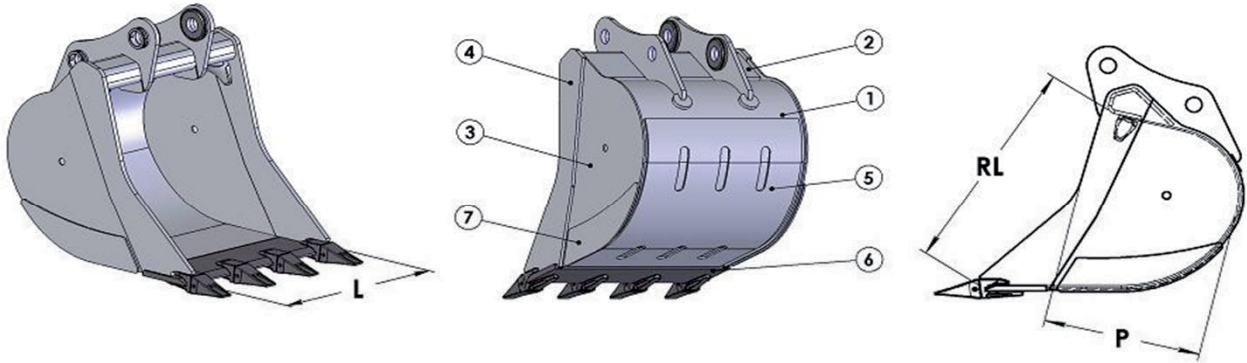


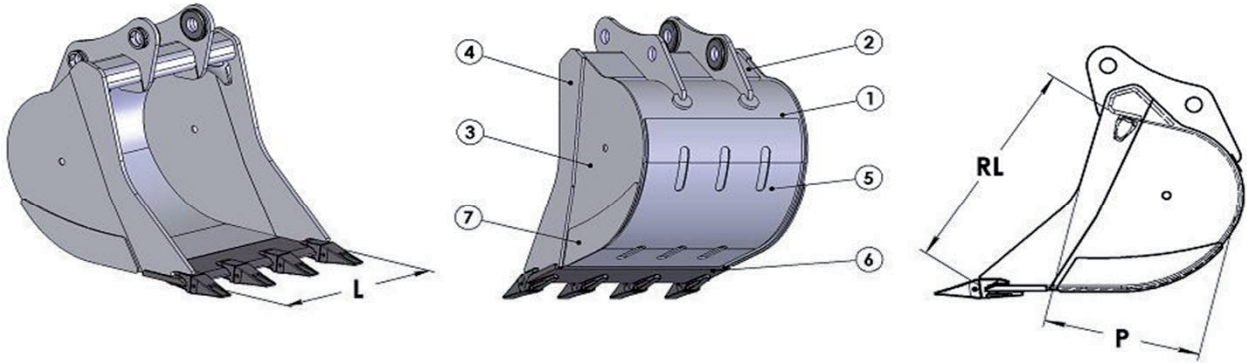
BENNA RINFORZATA per escavatori da 12,5 ton
REINFORCED BUCKET for excavators from 12,5 ton
GODET RENFORCE pour pelles de 12,5 ton
CAZO REFORZADO para excavadoras desde 12,5 ton
VERSTARKTE TIEFLÖFFEL für Bagger von 12,5 ton



Classe Class	Codice Code	L mm.	Cap. SAE Lt.	Denti n° Teeth	Peso Kg. Weight	RL mm.	P mm.	Tipologia Denti - Teeth Type	
T.55 12,5 - 16 ton	T55STR040	400	152	3	279	934	592	CAT J 300	Esco U25 S
	T55STR050	500	214	3	305			CAT J 300	Esco U25 S
	T55STR060	600	275	3	332			CAT J 300	Esco U25 S
	T55STR070	700	346	4	372			CAT J 300	Esco U25 S
	T55STR080	800	412	4	398			CAT J 300	Esco U25 S
	T55STR100	1000	544	5	459			CAT J 300	Esco U25 S
	T55STR110	1100	611	5	485			CAT J 300	Esco U25 S
	T55STR120	1200	677	5	510			CAT J 300	Esco U25 S
	T55STR130	1300	774	6	541			CAT J 300	Esco U25 S
	T55STR140	1400	811	6	572			CAT J 300	Esco U25 S
		1	2	3	4	5	6	7	8
Materiale	Material	S355	S355	S355	Hardox 400	Hardox 400	HB 400	S355	/
Spessore	Thickness	8 mm	12 mm	8 mm	20 mm	8 mm	270 x 32 mm	8 mm	/

Classe Class	Codice Code	L mm.	Cap. SAE Lt.	Denti n° Teeth	Peso Kg. Weight	RL mm.	P mm.	Tipologia Denti - Teeth Type	
T.60 16 - 19 ton	T60STR040	400	182	3	338	1004	653	CAT J 300	Esco U25 S
	T60STR050	500	252	3	370			CAT J 300	Esco U25 S
	T60STR060	600	324	3	401			CAT J 300	Esco U25 S
	T60STR070	700	410	4	454			CAT J 300	Esco U25 S
	T60STR080	800	486	4	484			CAT J 300	Esco U25 S
	T60STR100	1000	643	4	561			CAT J 300	Esco U25 S
	T60STR110	1100	724	5	593			CAT J 300	Esco U25 S
	T60STR120	1200	802	5	625			CAT J 300	Esco U25 S
	T60STR130	1300	881	6	670			CAT J 300	Esco U25 S
	T60STR140	1400	960	6	701			CAT J 300	Esco U25 S
		1	2	3	4	5	6	7	8
Materiale	Material	S355	S355	S355	Hardox 400	Hardox 400	HB 400	S355	/
Spessore	Thickness	8 mm	18 mm	8 mm	20 mm	8 mm	270 x 32 mm	8 mm	/

BENNA RINFORZATA per escavatori da 12,5 ton
REINFORCED BUCKET for excavators from 12,5 ton
GODET RENFORCE pour pelles de 12,5 ton
CAZO REFORZADO para excavadoras desde 12,5 ton
VERSTARKTE TIEFLÖFFEL für Bagger von 12,5 ton



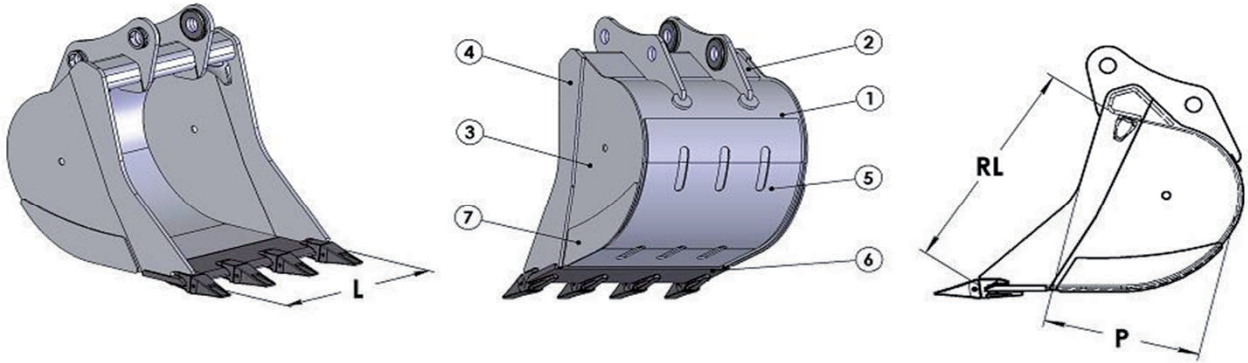
Classe Class	Codice Code	L mm.	Cap. SAE Lt.	Denti n° Teeth	Peso Kg. Weight	RL mm.	P mm.	Tipologia Denti - Teeth Type	
T.65 19 - 23 ton	T65STR050	500	279	3	463	1088	714	CAT J 350	Esco U30 S
	T65STR060	600	363	3	503			CAT J 350	Esco U30 S
	T65STR070	700	450	3	543			CAT J 350	Esco U30 S
	T65STR080	800	570	4	618			CAT J 350	Esco U30 S
	T65STR100	1000	754	4	698			CAT J 350	Esco U30 S
	T65STR120	1200	940	5	796			CAT J 350	Esco U30 S
	T65STR130	1300	1034	5	836			CAT J 350	Esco U30 S
	T65STR140	1400	1128	5	876			CAT J 350	Esco U30 S
	T65STR150	1500	1221	6	927			CAT J 350	Esco U30 S
	T65STR160	1600	1315	6	973			CAT J 350	Esco U30 S
		1	2	3	4	5	6	7	8
Materiale	Material	S355	S355	S355	Hardox 400	Hardox 400	HB 400	S355	/
Spessore	Thickness	10 mm	18 mm	8 mm	25 mm	10 mm	300 x 35 mm	8 mm	/

Classe Class	Codice Code	L mm.	Cap. SAE Lt.	Denti n° Teeth	Peso Kg. Weight	RL mm.	P mm.	Tipologia Denti - Teeth Type	
T.66 23 - 26 ton	T66STR050	500	320	3	515	1153	789	CAT J 350	Esco U35 S
	T66STR060	600	415	3	557			CAT J 350	Esco U35 S
	T66STR070	700	513	3	600			CAT J 350	Esco U35 S
	T66STR080	800	653	4	678			CAT J 350	Esco U35 S
	T66STR100	1000	862	4	763			CAT J 350	Esco U35 S
	T66STR120	1200	1075	5	865			CAT J 350	Esco U35 S
	T66STR130	1300	1183	5	907			CAT J 350	Esco U35 S
	T66STR140	1400	1290	5	949			CAT J 350	Esco U35 S
	T66STR150	1500	1398	5	1003			CAT J 350	Esco U35 S
	T66STR160	1600	1505	6	1051			CAT J 350	Esco U35 S
		1	2	3	4	5	6	7	8
Materiale	Material	S355	S355	S355	Hardox 400	Hardox 400	HB 400	S355	/
Spessore	Thickness	10 mm	18 mm	10 mm	25 mm	10 mm	300 x 35 mm	10 mm	/

Classe Class	Codice Code	L mm.	Cap. SAE Lt.	Denti n° Teeth	Peso Kg. Weight	RL mm.	P mm.	Tipologia Denti - Teeth Type	
T.68 26 - 31 ton	T68STR050	500	395	3	735	1251	903	CAT J 400	Esco U35 S
	T68STR060	600	510	3	786			CAT J 400	Esco U35 S
	T68STR070	700	620	3	838			CAT J 400	Esco U35 S
	T68STR080	800	735	4	940			CAT J 400	Esco U35 S
	T68STR100	1000	960	4	1042			CAT J 400	Esco U35 S
	T68STR120	1200	1190	5	1179			CAT J 400	Esco U35 S
	T68STR130	1300	1300	5	1231			CAT J 400	Esco U35 S
	T68STR140	1400	1415	5	1282			CAT J 400	Esco U35 S
	T68STR150	1500	1530	5	1333			CAT J 400	Esco U35 S
	T68STR160	1600	1640	6	1417			CAT J 400	Esco U35 S
	T68STR170	1700	1755	6	1468			CAT J 400	Esco U35 S
		1	2	3	4	5	6	7	8
Materiale	Material	S355	S355	S355	Hardox 400	Hardox 400	HB 400	S355	/
Spessore	Thickness	10 mm	20 mm	10 mm	30 mm	10 mm	400 x 40 mm	12 mm	/

Classe Class	Codice Code	L mm.	Cap. SAE Lt.	Denti n° Teeth	Peso Kg. Weight	RL mm.	P mm.	Tipologia Denti - Teeth Type	
T.69 31 - 38 ton	T69STR060	600	549	3	880	1300	940	CAT J 400	Esco U40 S
	T69STR070	700	677	3	940			CAT J 400	Esco U40 S
	T69STR080	800	835	4	1035			CAT J 400	Esco U40 S
	T69STR100	1000	1108	4	1165			CAT J 400	Esco U40 S
	T69STR120	1200	1391	5	1300			CAT J 400	Esco U40 S
	T69STR130	1300	1535	5	1370			CAT J 400	Esco U40 S
	T69STR140	1400	1680	5	1430			CAT J 400	Esco U40 S
	T69STR150	1500	1825	5	1490			CAT J 400	Esco U40 S
	T69STR160	1600	1970	6	1580			CAT J 400	Esco U40 S
	T69STR180	1800	2260	6	1700			CAT J 400	Esco U40 S
		1	2	3	4	5	6	7	8
Materiale	Material	S355	S355	S355	Hardox 400	Hardox 400	HB 400	S355	/
Spessore	Thickness	12 mm	20 mm	12 mm	30 mm	10 mm	400 x 40 mm	12 mm	/

BENNA RINFORZATA per escavatori da 12,5 ton
REINFORCED BUCKET for excavators from 12,5 ton
GODET RENFORCE pour pelles de 12,5 t on
CAZO REFORZADO para excavadoras de 12,5 ton
VERSTÄRKTIE TIEFLÖFFEL für Bagger von 12,5 ton



Classe Class	Codice Code	L mm.	Cap. SAE Lt.	Denti n° Teeth	Peso Kg. Weight	RL mm.	P mm.	Tipologia Denti - Teeth Type	
T.70 38 - 43 ton	T70STR060	600	624	3	939	1360	963	CAT J 400	Esco U40 S
	T70STR070	700	770	3	1003			CAT J 400	Esco U40 S
	T70STR080	800	949	4	1101			CAT J 400	Esco U40 S
	T70STR100	1000	1260	4	1242			CAT J 400	Esco U40 S
	T70STR120	1200	1581	5	1389			CAT J 400	Esco U40 S
	T70STR130	1300	1745	5	1467			CAT J 400	Esco U40 S
	T70STR140	1400	1909	5	1530			CAT J 400	Esco U40 S
	T70STR150	1500	2074	5	1594			CAT J 400	Esco U40 S
	T70STR160	1600	2239	6	1689			CAT J 400	Esco U40 S
	T70STR180	1800	2569	6	1815			CAT J 400	Esco U40 S
		1	2	3	4	5	6	7	8
Materiale	Material	S355	S355	S355	Hardox 400	Hardox 400	HB 400	S355	/
Spessore	Thickness	12 mm	20 mm	12 mm	30 mm	12 mm	400 x 40 mm	12 mm	/

Classe Class	Codice Code	L mm.	Cap. SAE Lt.	Denti n° Teeth	Peso Kg. Weight	RL mm.	P mm.	Tipologia Denti - Teeth Type	
T.75 43 - 55 ton	T75STR115	1150	1591	4	1836	1505	1100	CAT J 460	Esco U45 S
	T75STR135	1350	1927	4	2004			CAT J 460	Esco U45 S
	T75STR145	1450	2095	5	2115			CAT J 460	Esco U45 S
	T75STR155	1550	2263	5	2199			CAT J 460	Esco U45 S
	T75STR165	1650	2426	5	2283			CAT J 460	Esco U45 S
	T75STR175	1750	2594	5	2363			CAT J 460	Esco U45 S
	T75STR195	1950	2940	6	2531			CAT J 460	Esco U45 S
	T75STR215	2150	3266	6	2730			CAT J 460	Esco U45 S
		1	2	3	4	5	6	7	8
Materiale	Material	S355	S355	S355	Hardox 400	Hardox 400	Hardox 400	S355	/
Spessore	Thickness	12 mm	25 mm	12 mm	40 mm	15 mm	400 x 50 mm	12 mm	/