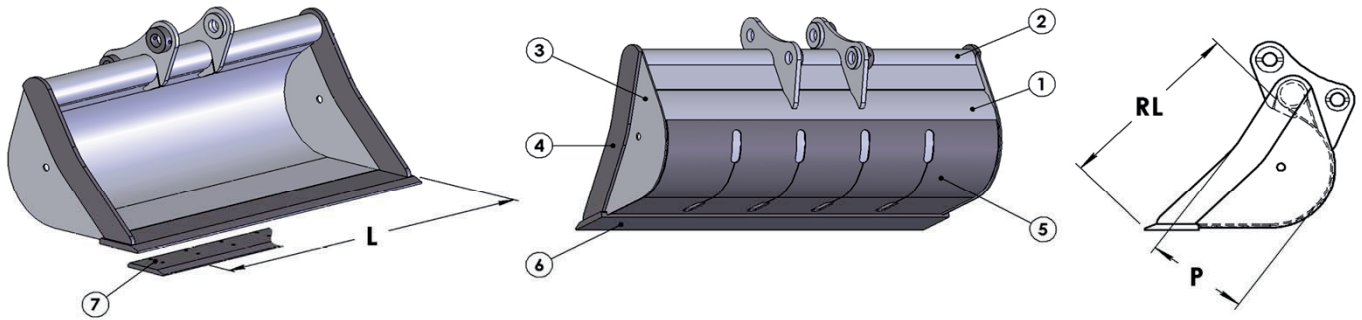


**BENNA PULIZIA FOSSI MODELLO OLANDA per escavatori**  
**DITCH CLEANING BUCKET HOLLAND PROFILE for excavators**  
**GODET CURAGE GRANDE CAPACITE' pour pelles**  
**CAZO DE LIMPIEZA MODELO "OLANDA" para excavadoras**  
**GRABENRAUMLÖFFEL HOLLAND PROFIL für Bagger**

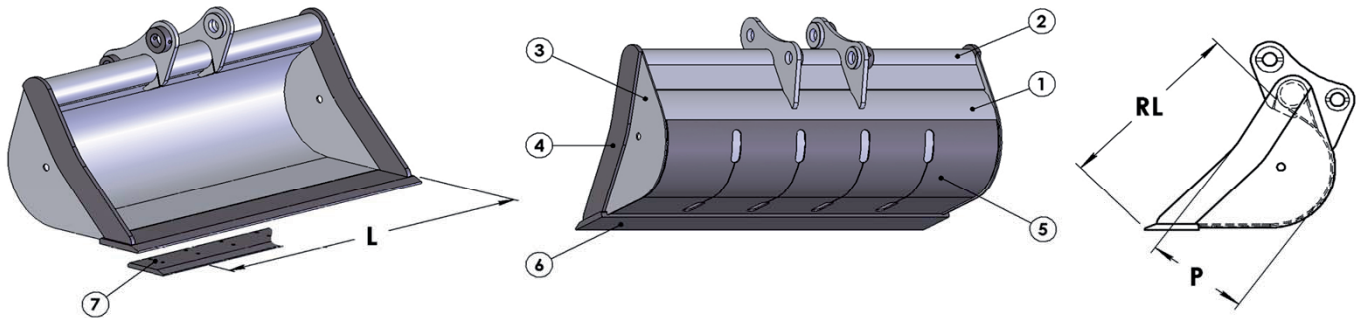


Classe Class	Codice Code	L mm.	Cap. SAE Lt.	Peso Kg. Weight	RL mm.	P mm.	Listino € Price List	Sottolama € Bolt on blade
T.45 5,3 - 7,0 ton	T45PFO140	1400	288	228	588	323	/	/
	T45PFO150	1500	310	241			/	/
	T45PFO160	1600	334	253			/	/
		<b>1</b>	<b>2</b>	<b>3</b>	<b>4</b>	<b>5</b>	<b>6</b>	<b>7 Optional</b>
Materiale	Material	S355	S355	S355	Hardox 400	S355	HB 400	HB 400
Spessore	Thickness	6 mm	114.3 x 12.5 mm	5 mm	15 mm	6 mm	200 x 20 mm	200 x 20 mm

Classe Class	Codice Code	L mm.	Cap. SAE Lt.	Peso Kg. Weight	RL mm.	P mm.	Listino € Price List	Sottolama € Bolt on blade
T.48 - T.50 7,1 - 12,5 ton	T48PFO140	1400	348	244	649	358	/	/
	T48PFO150	1500	375	258			/	/
	T48PFO160	1600	403	271			/	/
	T48PFO180	1800	458	298			/	/
	T48PFO200	2000	513	324			/	/
		<b>1</b>	<b>2</b>	<b>3</b>	<b>4</b>	<b>5</b>	<b>6</b>	<b>7 Optional</b>
Materiale	Material	S355	S355	S355	Hardox 400	S355	HB 400	HB 400
Spessore	Thickness	6 mm	114.3 x 12.5 mm	8 mm	15 mm	6 mm	200 x 20 mm	200 x 20 mm

Classe Class	Codice Code	L mm.	Cap. SAE Lt.	Peso Kg. Weight	RL mm.	P mm.	Listino € Price List	Sottolama € Bolt on blade
T.55 12,5 - 16 ton	T55PFO150	1500	585	405	830	445	/	/
	T55PFO160	1600	629	440			/	/
	T55PFO180	1800	717	480			/	/
	T55PFO200	2000	805	520			/	/
	T55PFO220	2200	893	560			/	/
		<b>1</b>	<b>2</b>	<b>3</b>	<b>4</b>	<b>5</b>	<b>6</b>	<b>7 Optional</b>
Materiale	Material	S355	S355	S355	Hardox 400	S355	HB 400	HB 400
Spessore	Thickness	8 mm	127 x 14.2 mm	8 mm	20 mm	8 mm	250 x 25 mm	250 x 25 mm

**BENNA PULIZIA FOSSI MODELLO OLANDA per escavatori**  
**DITCH CLEANING BUCKET HOLLAND PROFILE for excavators**  
**GODET CURAGE GRANDE CAPACITE' pour pelles**  
**CAZO DE LIMPIEZA MODELO "OLANDA" para excavadoras**  
**GRABENRAUMLÖFFEL HOLLAND PROFIL für Bagger**



Classe Class	Codice Code	L mm.	Cap. SAE Lt.	Peso Kg. Weight	RL mm.	P mm.	Listino € Price List	Sottolama € Bolt on blade
<b>T.60</b> <b>16 - 19</b> <b>ton</b>	T60PFO150	1500	677	440	900	473	/	/
	T60PFO160	1600	730	465			/	/
	T60PFO180	1800	832	510			/	/
	T60PFO200	2000	935	550			/	/
	T60PFO220	2200	1038	595			/	/
		<b>1</b>	<b>2</b>	<b>3</b>	<b>4</b>	<b>5</b>	<b>6</b>	<b>7 Optional</b>
<b>Materiale</b>	<b>Material</b>	S355	S355	S355	Hardox 400	S355	HB 400	HB 400
<b>Spessore</b>	<b>Thickness</b>	8 mm	127 x 14.2 mm	8 mm	20 mm	8 mm	250 x 25 mm	250 x 25 mm

Classe Class	Codice Code	L mm.	Cap. SAE Lt.	Peso Kg. Weight	RL mm.	P mm.	Listino € Price List	Sottolama € Bolt on blade
<b>T.65</b> <b>19 - 23</b> <b>ton</b>	T65PFO160	1600	820	565	956	515	/	/
	T65PFO180	1800	937	617			/	/
	T65PFO200	2000	1054	670			/	/
	T65PFO220	2200	1171	720			/	/
	T65PFO240	2400	1288	770			/	/
	T65PFO250	2500	1346	800			/	/
		<b>1</b>	<b>2</b>	<b>3</b>	<b>4</b>	<b>5</b>	<b>6</b>	<b>7 Optional</b>
<b>Materiale</b>	<b>Material</b>	S355	S355	S355	Hardox 400	S355	HB 400	HB 400
<b>Spessore</b>	<b>Thickness</b>	8 mm	152.4 x 16 mm	8 mm	25 mm	8 mm	270 x 32 mm	250 x 25 mm

Classe Class	Codice Code	L mm.	Cap. SAE Lt.	Peso Kg. Weight	RL mm.	P mm.	Listino € Price List	Sottolama € Bolt on blade
T.66 23 - 26 ton	T66PFO160	1600	930	585	1030	540	/	/
	T66PFO180	1800	1066	640			/	/
	T66PFO200	2000	1200	692			/	/
	T66PFO220	2200	1334	745			/	/
	T66PFO240	2400	1470	797			/	/
	T66PFO250	2500	1535	824			/	/
		<b>1</b>	<b>2</b>	<b>3</b>	<b>4</b>	<b>5</b>	<b>6</b>	<b>7 Optional</b>
<b>Materiale</b>	<b>Material</b>	S355	S355	S355	Hardox 400	S355	HB 400	HB 400
<b>Spessore</b>	<b>Thickness</b>	8 mm	152.4 x 16 mm	8 mm	25 mm	8 mm	270 x 32 mm	250 x 25 mm

Classe Class	Codice Code	L mm.	Cap. SAE Lt.	Peso Kg. Weight	RL mm.	P mm.	Listino € Price List	Sottolama € Bolt on blade
T.68 26 - 31 ton	T68PFO160	1600	1177	810	1155	625	/	/
	T68PFO180	1800	1350	885			/	/
	T68PFO200	2000	1522	960			/	/
	T68PFO220	2200	1694	1035			/	/
	T68PFO240	2400	1867	1110			/	/
	T68PFO250	2500	1953	1147			/	/
		<b>1</b>	<b>2</b>	<b>3</b>	<b>4</b>	<b>5</b>	<b>6</b>	<b>7 Optional</b>
<b>Materiale</b>	<b>Material</b>	S355	S355	S355	Hardox 400	S355	HB 400	HB 400
<b>Spessore</b>	<b>Thickness</b>	10 mm	177.8 x 20 mm	10 mm	30 mm	10 mm	300 x 35 mm	250 x 25 mm

Classe Class	Codice Code	L mm.	Cap. SAE Lt.	Peso Kg. Weight	RL mm.	P mm.	Listino € Price List	Sottolama € Bolt on blade
T.69 - T.70 31 - 43 ton	T69PFO160	1600	1330	855	1240	660	/	/
	T69PFO180	1800	1528	935			/	/
	T69PFO200	2000	1725	1012			/	/
	T69PFO220	2200	1922	1090			/	/
	T69PFO240	2400	2118	1170			/	/
	T69PFO250	2500	2216	1210			/	/
		<b>1</b>	<b>2</b>	<b>3</b>	<b>4</b>	<b>5</b>	<b>6</b>	<b>7 Optional</b>
<b>Materiale</b>	<b>Material</b>	S355	S355	S355	Hardox 400	S355	HB 400	HB 400
<b>Spessore</b>	<b>Thickness</b>	10 mm	177.8 x 20 mm	10 mm	30 mm	10 mm	300 x 35 mm	250 x 25 mm